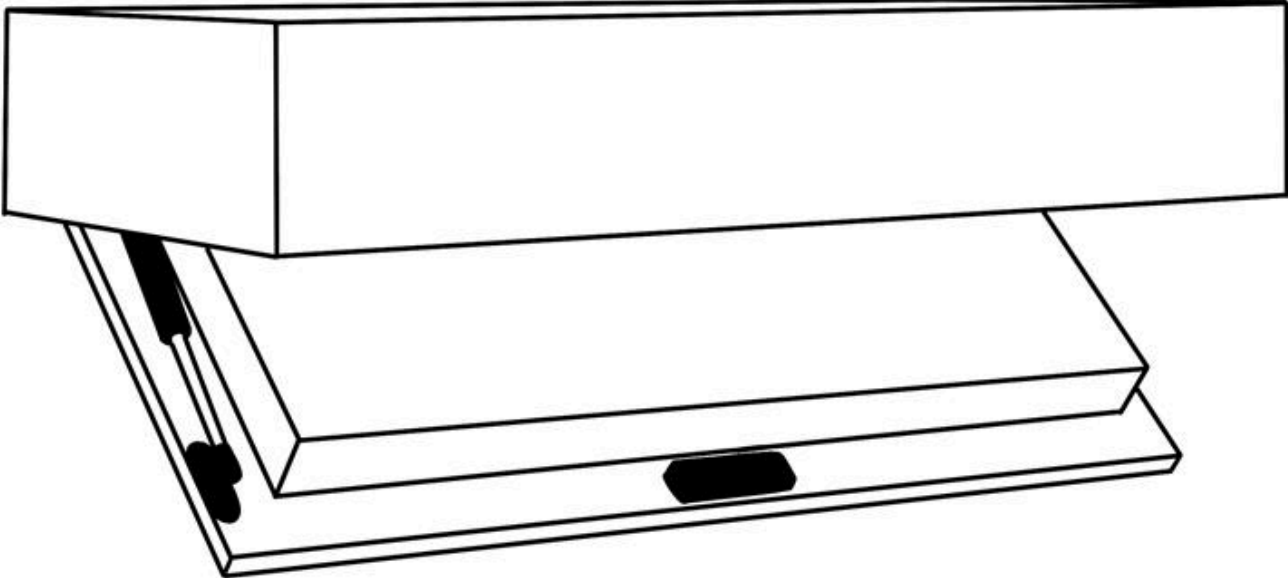


Hide-A-Shelf Installation Guide



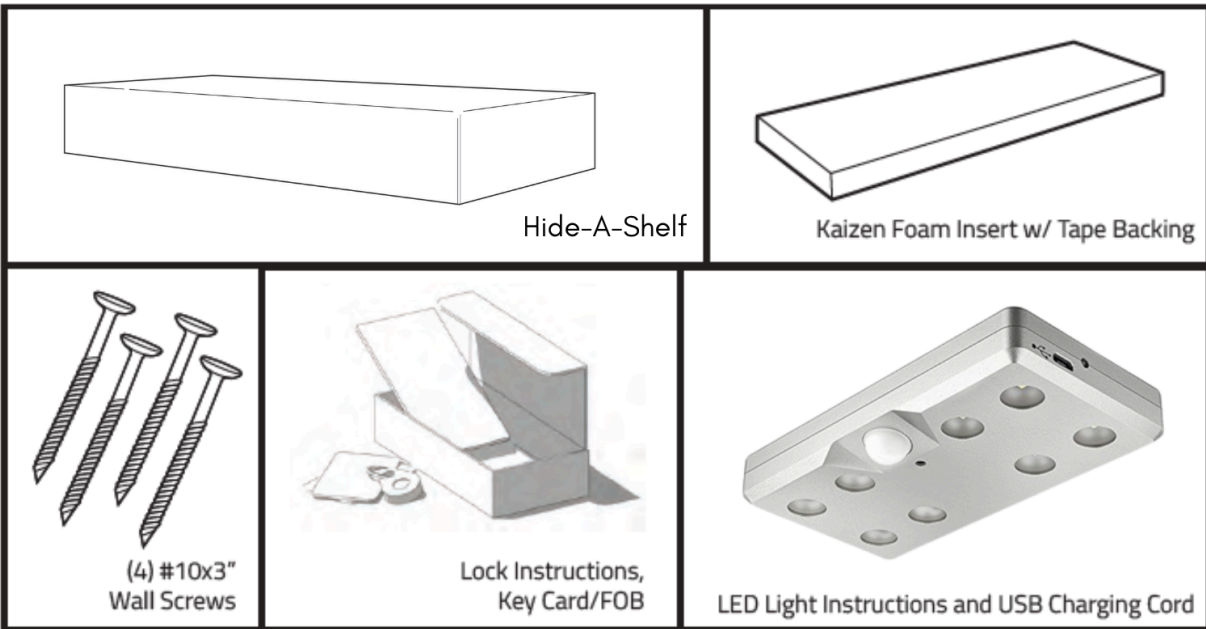
Installation Guide for Hide-A-Shelf

Hide-A-Shelf requires installation into wall studs or wood blocking due to weight requirements. If this cannot be accomplished using existing 16" O.C. (On Center) wall studs, blocking out the wall with wood blocking or studs behind the drywall will be required to hold the proper weight of the Hide-A-Shelf and content within it.

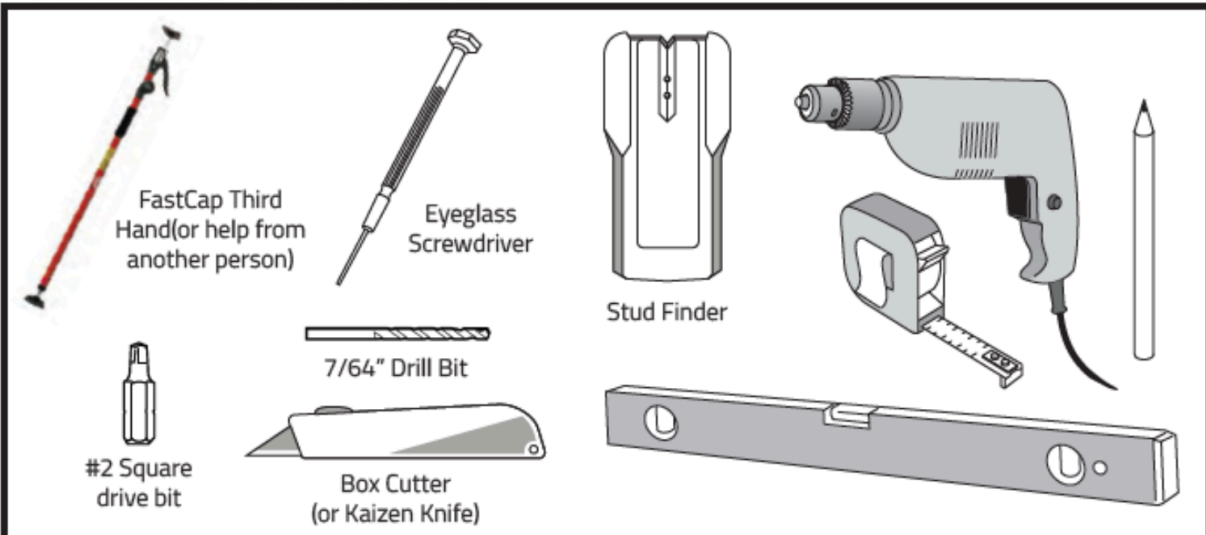
Provided #10 Wall Screws are for typical wood Wall Stud application. Specific Individual Wall Applications might require different hardware or installation methods. Contact your local contractor if necessary, for proper installation.

Hide-A-Shelf is not a replacement for a safe. It provides concealment and accessibility but not impervious to damage or too much weight. Consider decorating the shelf with objects that will not be too heavy, putting strain on mounting hardware, shelf, or studs. Consider keeping weight in and on the shelf under 30lbs.

Hardware Included:



Installation Tools Needed:



Step 1: Setting Up

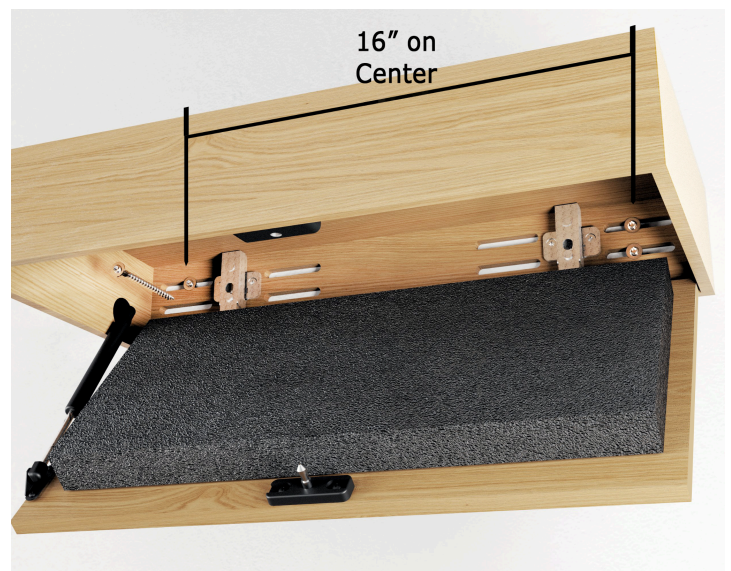
1. Remove the Hide-a-Shelf from its carton. Locate the small white box that contains the lock and accessories for your Hide-a-Shelf. Using the supplied USB charging cord, charge the onboard battery of the lighting pack.
2. While the lighting pack is charging, program the lock according to the instructions included in the accessory box. It is important to ensure that all of the keys that will be used are programmed before the lock is installed.

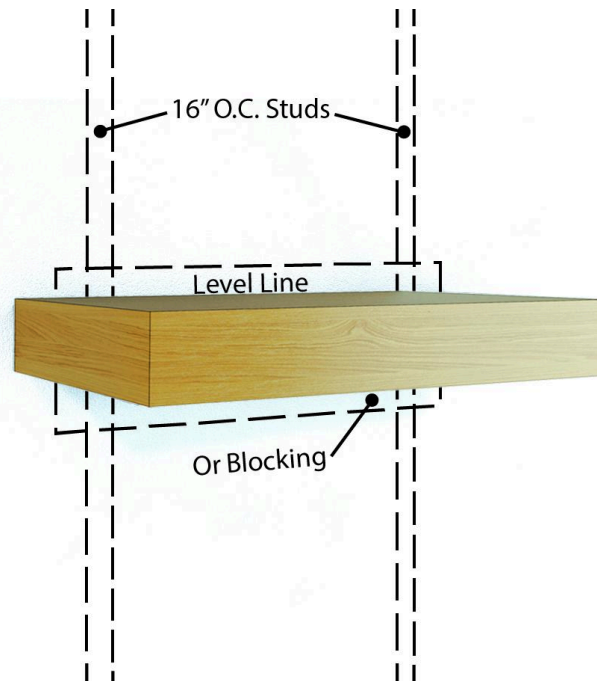
The battery status is checked each time the lock is opened with a key. If the status runs below a certain load, the lock opens one last time and a 15-second battery alarm sound comes up and the lock remains open until the battery is replaced. To maintain a healthy battery it is recommended that your shelf is opened at least once a month. Do not close the shelf if the lock is in the "locked" position, and the battery is removed. The shelf will lock permanently without any way to open the shelf.

3. Once the lock is programmed, install it onto the inside-front of the shelf, using the screws provided and a #2 square-drive bit. There will be 4 pre-drilled holes that will help you properly locate the lock.
4. Locate the foam insert for the Hide-a-Shelf, and using a box cutter or Kaizen Knife cut compartments or trace the objects you intend to store in your Hide-a-Shelf. The foam insert is layered, so cutting at a consistent depth across the insert allows you to ensure that all objects stored in the shelf are at a suitable depth, and that the shelf will close when the objects are inside.
5. Once the foam has been customized for storage, remove the paper backing of the adhesive on the back of the foam insert. Align the back of the foam with the two hinge cup edges. Before pressing the foam into position, make sure that the foam will not interfere with the gas spring, or the upper portion of the shelf. When the insert has been properly located, press down on the foam firmly to secure it to the shelf.

Step 2: Mounting to Wall

1. Determine the mounting location for your Hide-a-Shelf. Using a stud finder, locate two suitable studs for installing the shelf. The outside slots on the back of the shelf are designed for mounting on typical 16" on-center stud spacing.





2. To ensure proper stability and function, it is necessary to mount the shelf to studs, or to blocking. Failure to properly secure the shelf in this fashion could result in damage to the wall, the shelf, or its contents.
3. Using a second person or prop/support tool, hold the Hide-a-Shelf open and against the wall. Place a bubble level on top of the shelf. Locate one end of the hole markings on the wall in the upper outer hole slot of the shelf and hold while a #10 wall screw is driven through the slot into the center of the stud using the power drill with #2 square drive bit. Leave the screw short of fully tightening for minor adjustments. Continue holding the shelf firmly against the wall until fully fastened to the wall.
4. Make sure that the shelf is tight and secure against the wall before placing anything in or on the Hide-a-Shelf.

Congratulations on installing your Hide-A-Shelf!

For questions or concerns, call 800-882-0009 Monday-Friday 8:00am-4:30pm CST