

INSTRUCTION MANUAL

for Installing


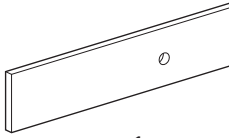


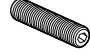

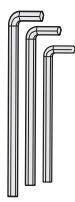
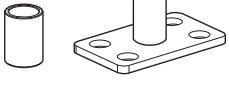

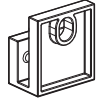
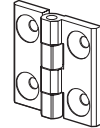

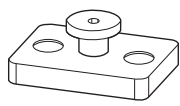



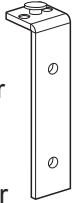
BIFOLD BARN DOOR

NT.BF1500.TM and
NT.BF1500.FM Series

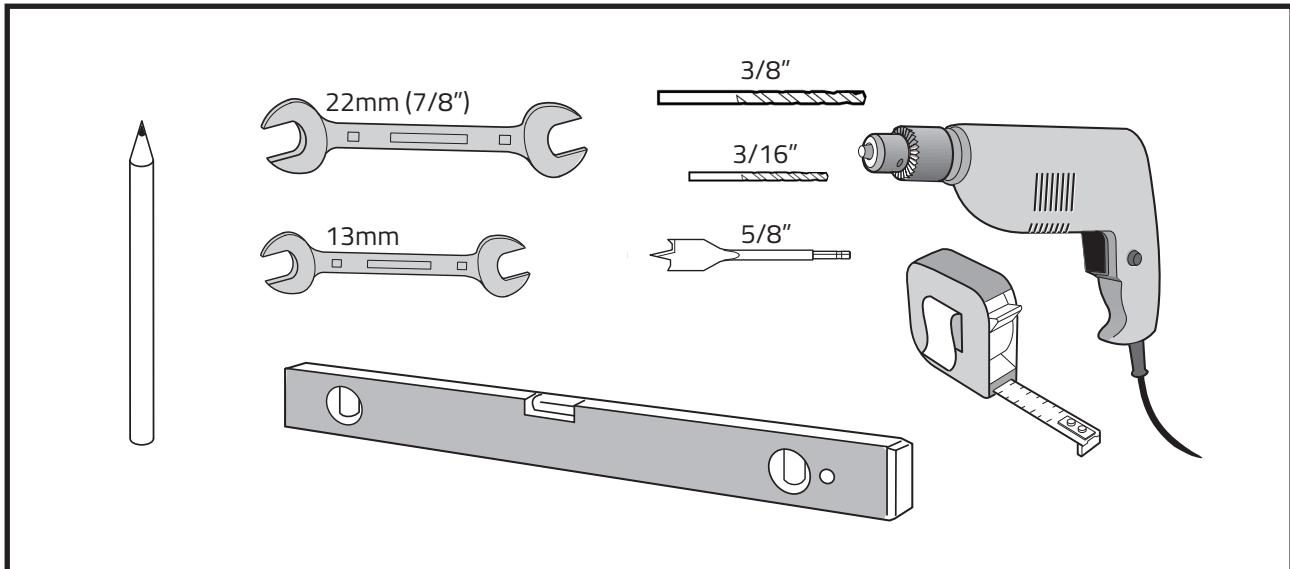


Instruction Manual for Installing Top Mount Bi-Fold Barn Door Hardware

Hardware Included:

 M8x90	 x1	Adjustable Roller  x1	Fixed Roller  x1	 M5x26 x1	 x1	Allen Wrench Set  2mm, 2.5mm, 4mm	
Bottom Pivot Plate  x1		Rail Spacer  4' Rail - x4 5' Rail - x4 6' Rail - x5		Fixed Roller Lock Bracket  x1 M5x6 x2		Door Hinge  x2 ST6X25 x8	
Top Connector Plate (Top Mount)  ST4. 8X50 x4		 x2		Top Connector Plate + Strap (Front Mount)  ST4.8x32 x4		 M10x55 x4 bolts for 35-40mm door  M10x60 x4 bolts for 40-45mm door  x2	

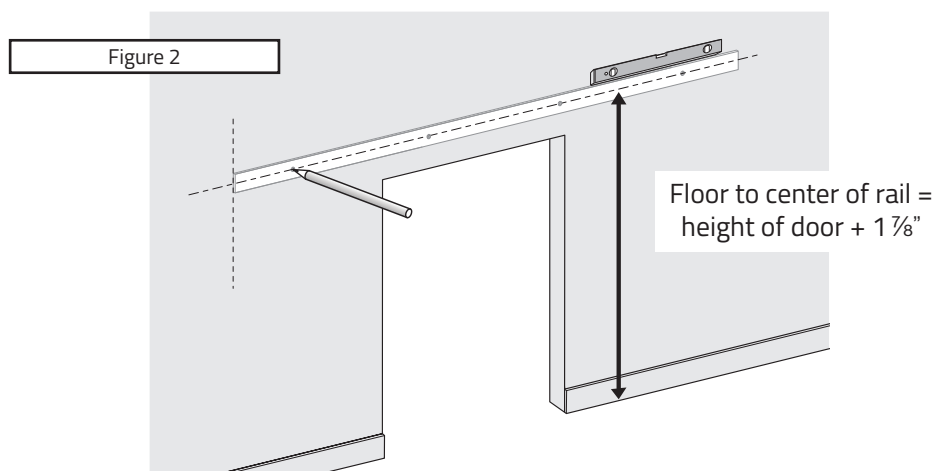
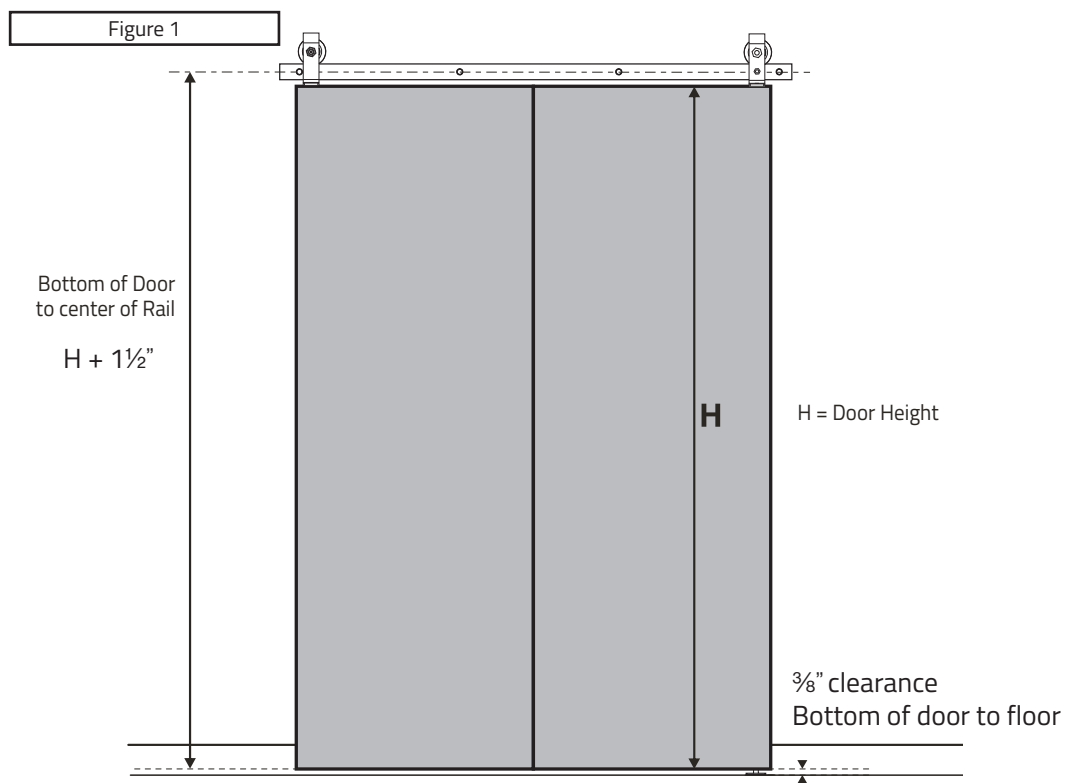
Installation Tools Needed:



Step 1: Rail Installation (figure 1 & 2)

Note: DO NOT mount rail spacers directly onto drywall, even if there is solid wood behind. The rail spacers will eventually crush the drywall, potentially causing the rail system to fail.
MOUNT RAIL SPACERS DIRECTLY INTO A SOLID WOOD HEADER

1. Location of center of the rail = Height of the door + $1\frac{7}{8}$ " (figure 1)
(this will leave approximately $\frac{3}{8}$ " gap between the floor and the bottom of the door)
2. Using a good quality level, lightly score a level pencil line on the headerboard where the center of the rail spacers will be fastened into (figure 2).
3. Mark on the line where the rail spacers are to be located and predrill the fastener holes in the header board using a $\frac{3}{16}$ " drill bit.
4. Mount the rail using the supplied lag screws, washers, and rail spacers (you will need a 13mm open end wrench or 13mm socket for this).



Step 2: Installing the Hardware on the Doors

Door thickness range = $1\frac{3}{8}$ " - $1\frac{3}{4}$ "

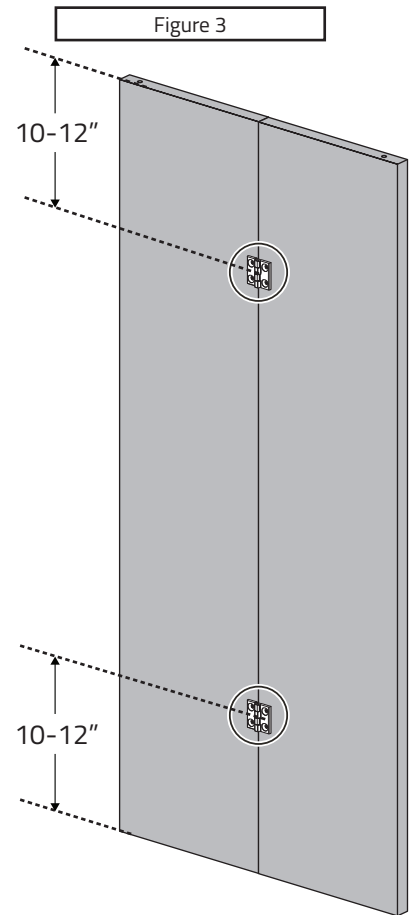
Max. door width:

Max. door weight = 176 lbs.

- 48" rail = 49"
- 60" rail = $60\frac{5}{16}$ "
- 72" rail = $72\frac{1}{4}$ "

1. Installing BiFold butt hinges on the back for the doors (figure 3)

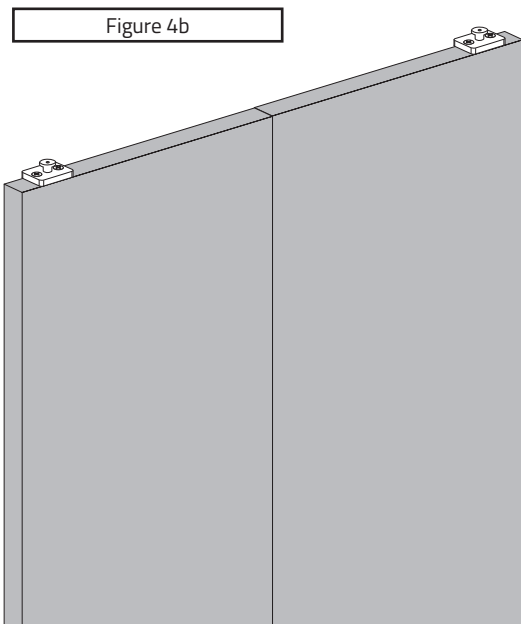
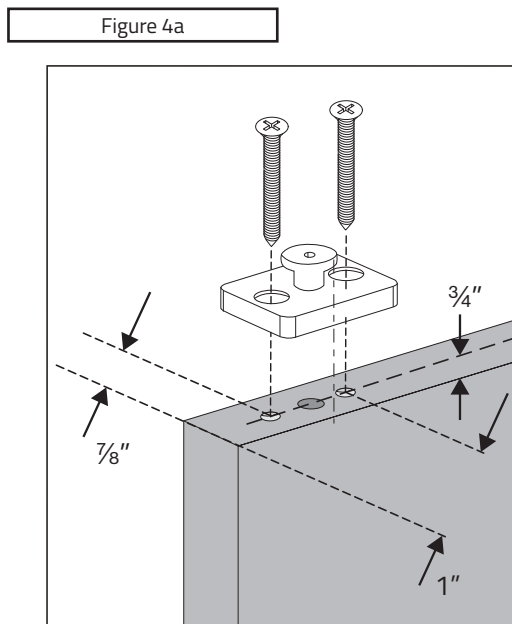
- Lay the doors to be joined together face down on a flat surface.
- Butt the doors together with a $\frac{1}{32}$ " gap in between (approximate thickness of 3-4 business cards).
- Space the hinges approximately 10"-12" down from the top and up from the bottom of the doors.
- Align the hinge knuckle parallel and directly over the joint between the two doors. Using a self-centering #9 Vix bit or a $\frac{1}{8}$ " drill bit, predrill the fastener holes.
- Secure the hinges to the door with the supplied flat-head screws.



2. Installing top connector plate onto the door

a) Top Mount Hardware only (figure 4)

- Mark the location on the top of the door where the fasteners for the top connector plate will be installed. Measure in $\frac{7}{8}$ " and $1\frac{7}{8}$ " from the edge of the door and $\frac{3}{4}$ " from the front of the door.
- Using a $\frac{1}{8}$ " drill bit, predrill the holes in the top of the door and install the plates using the supplied fasteners.



b) Front Mount Hardware only (figure 5)

- Measure $1\frac{3}{8}$ " from the front edge of the door and scribe a vertical line $5\frac{1}{2}$ " down from the top of the door (parallel with the side edge of the door).
- Scribe an intersecting line $1\frac{9}{16}$ " and $5\frac{1}{8}$ " down from the top of the door for the center hole position of the fasteners.
- Drill $\frac{3}{8}$ " through holes in the door for the fasteners and drill $\frac{1}{8}$ " holes on the top of the door for the top plate.
- Mount the front mount top connector plates to the door with the supplied screws, lag bolts, washers, and acorn nuts.

Figure 5a

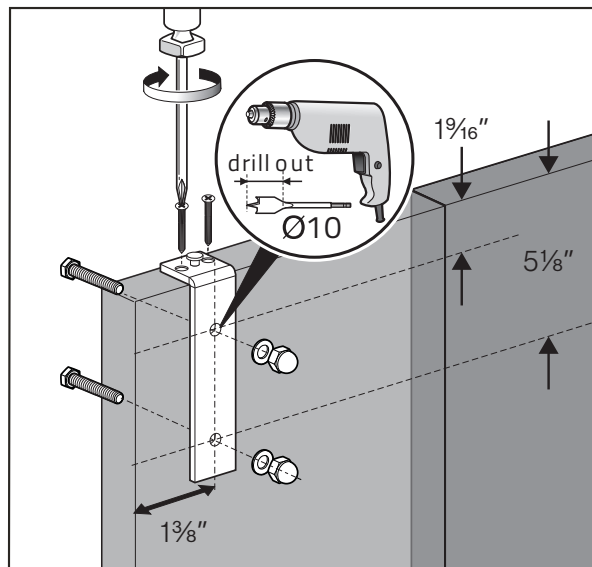
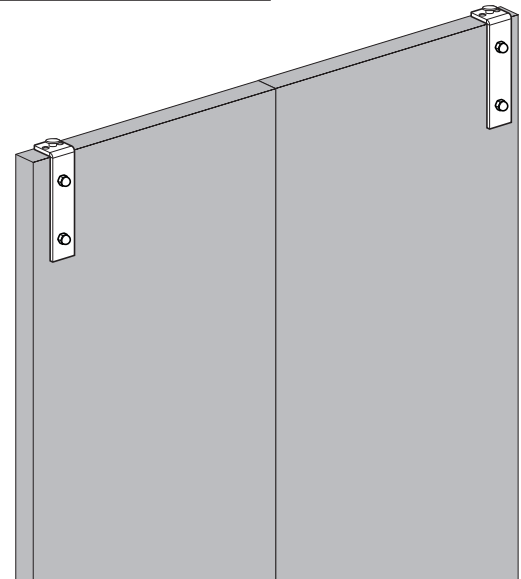


Figure 5b



3. Installing the brass sleeve on the bottom of the door (figure 6)

- a) The brass sleeve needs to align with the center of the top connector plate used with the fixed roller.
- b) To find the center of the hole, measure $1\frac{3}{8}$ " in from the bottom edge of the door and $\frac{3}{4}$ " in from the front of the door.
- c) Using a $\frac{5}{8}$ " spade bit or Forstner bit, drill a $\frac{7}{8}$ " deep hole and insert the brass sleeve.

Figure 6a

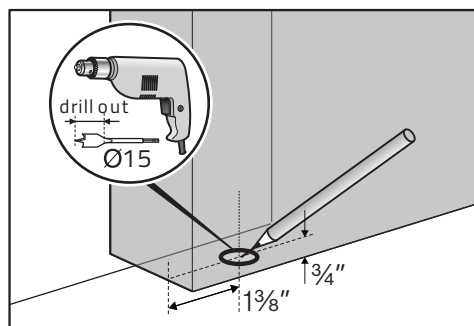
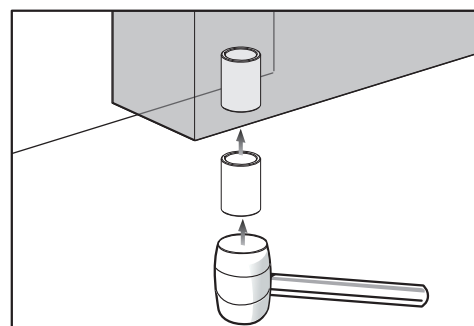


Figure 6b

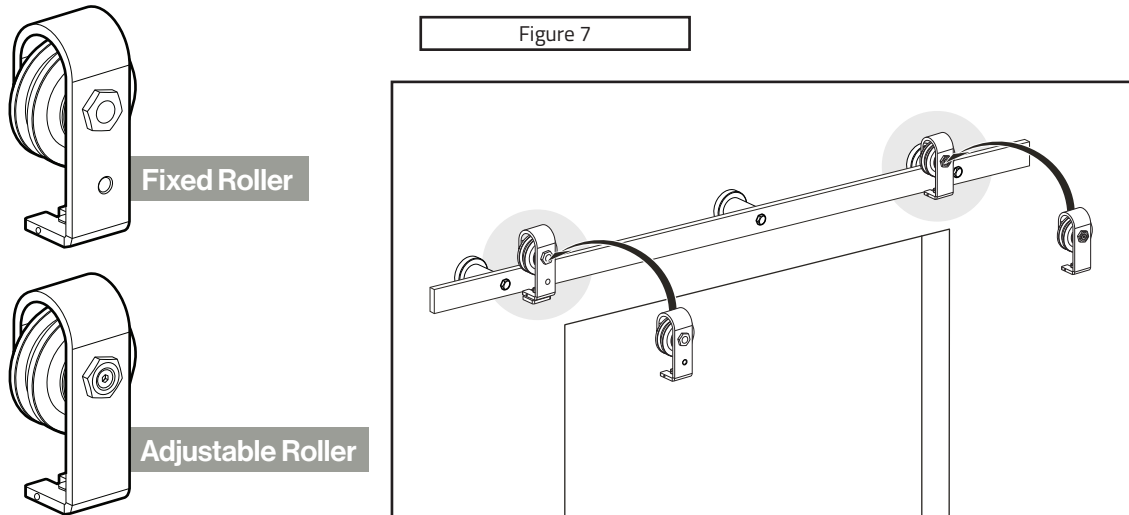


Step 3: Hanging the Doors on the Rail (figures 7, 8a, 8b, 8c)

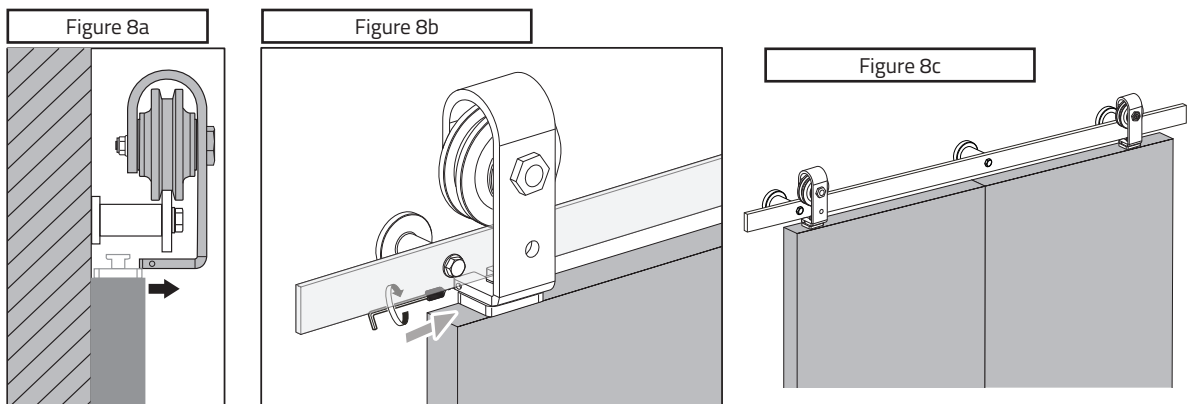
In order to determine the proper location for the bottom pivot plate, the doors must first be hung on the rail at the desired position in reference to the opening.

(Door thickness range 1 3/8" - 1 3/4")

1. Hang the fixed roller and the adjustable roller in the correct positions on the rails (figure 7).



2. Lift the doors up close to the wall and pull forward to engage the top connector plate on the top of the door with the fixed roller and adjustable roller (see figure 8a). (be sure the set screw on the side of the fixed roller and adjustable roller is backed out so that it does not protrude into the slot opening)
3. Using the supplied 2mm Allen wrench, tighten down set screws to lock the fixed and adjustable roller assemblies to the top connector plates (see figure 8b). Setting this screw approximately 3/8" deep will ensure proper holding position of this screw.
4. Slide the doors to the desired location on the rail (figure 8c).



5. To maintain this desired position on the rails, secure the fixed roller to the rail.
- a) Slide the fixed roller lock bracket onto the rail directly behind the set screw located on the front of the fixed roller (*figure 9a*).
 - b) Using the supplied 2.5mm Allen wrench, tighten the set screws on the back of the fixed roller lock bracket (*figure 9b*).
 - c) Lock the fixed roller onto the rail by tightening the 1" long set screw (using the 2.5mm Allen wrench) through the fixed roller strap, through the fixed roller lock bracket and into the rail (do not over tighten). Using a 13mm open end wrench, tighten the hex-head nut onto this set screw (*figures 9c & 9d*).

Figure 9a

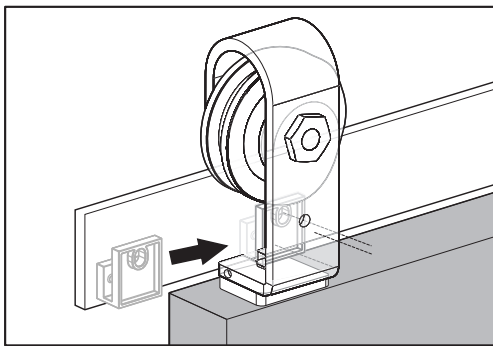


Figure 9b

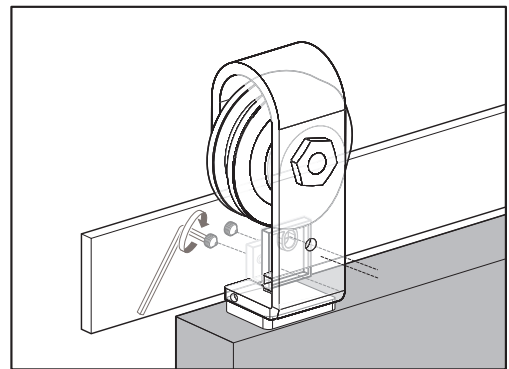


Figure 9c

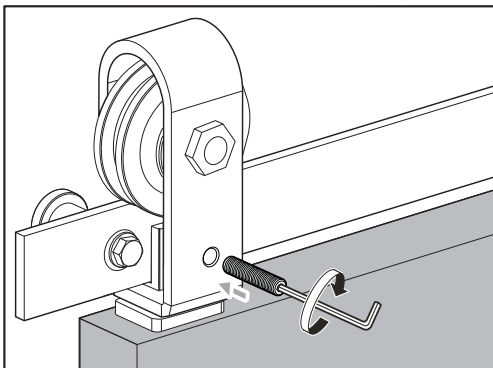
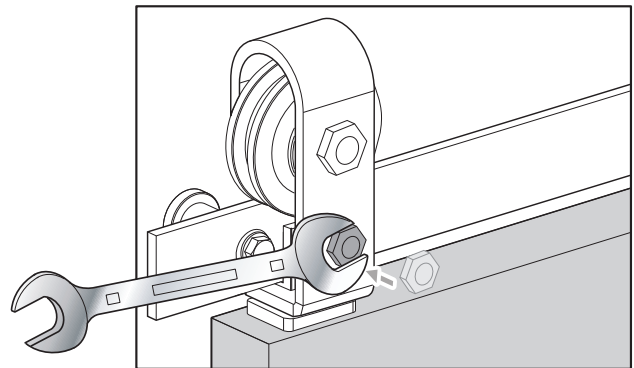


Figure 9d



Step 4: Installing the Bottom Pivot Plate

The location of this bottom pivot plate is critical for the proper functioning of the Bi-Fold Barn Door.

1. Pull out the bottom of the door slightly and insert the bottom pivot plate (figure 10a) into the brass sleeve located in the bottom of the fixed position door, reposition the door.
2. Using a quality level, plumb the door and mark the position of the bottom pivot plate on the floor (front edge and outside edge - see figure 10b).
3. Take the fixed pivoting door off of the rail by removing the set screw on the fixed roller and pushing the door inward towards the wall until the top connector plate disengages from the fixed roller assembly.
4. Reposition the bottom pivot plate on the marks made in step 2 of this section. Move the plate slightly forward from the mark (approximately $\frac{1}{16}$ ") and secure to the floor using the supplied screws (figure 10c, 10d)
(moving the bottom pivot plate forward slightly helps to keep the doors butted together in the closed position)

Figure 10a



Figure 10b



Figure 10c

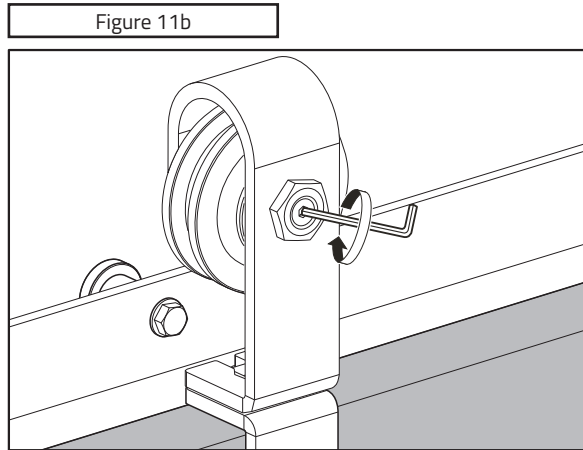
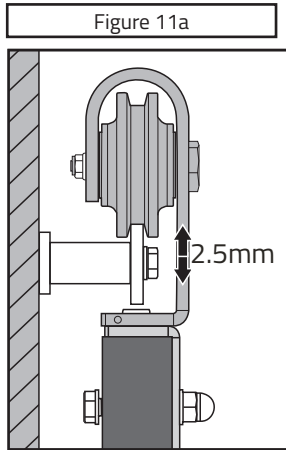


Figure 10d



Step 5: Reinstallation of the Fixed Pivoting Door

1. Replace the door on the bottom pivot plate.
2. Reengage the top connector plate onto the fixed roller and reinstall the set screw.



Door Adjustment
There is a hex adjusting nut on front of the adjustable roller which will adjust the height of the rolling door by approximately $\frac{3}{16}$ " (5mm) overall (see figure 11). This fine tune adjustment helps to level the door parallel to the horizontal position of the rail, allowing for smooth functioning of the Bi-Fold Barn Doors.

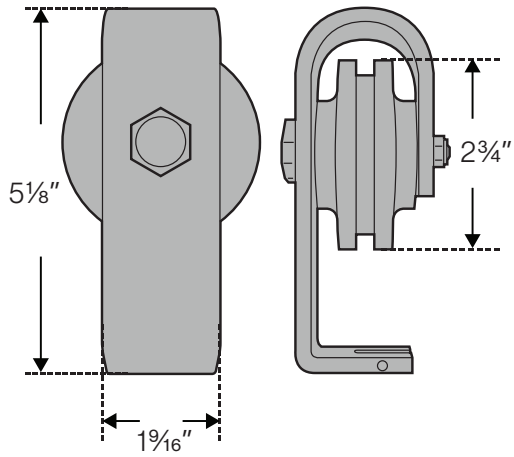


Closed

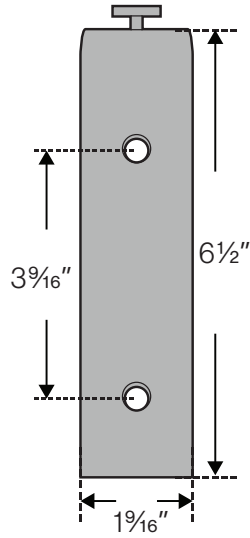


Open

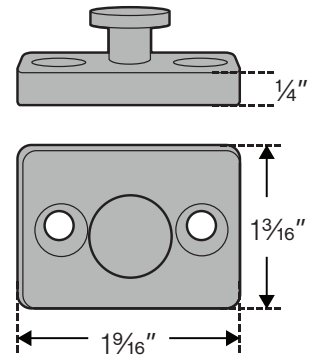
Hardware Dimensions



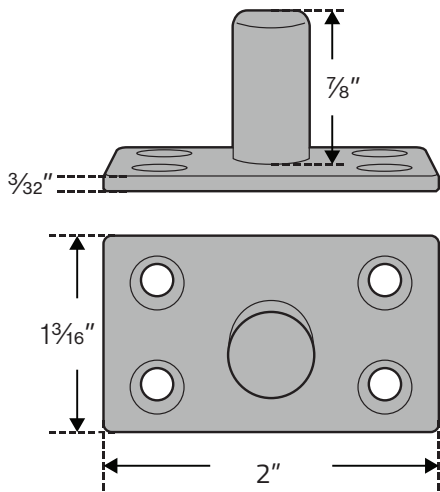
Adjustable/Fixed Roller



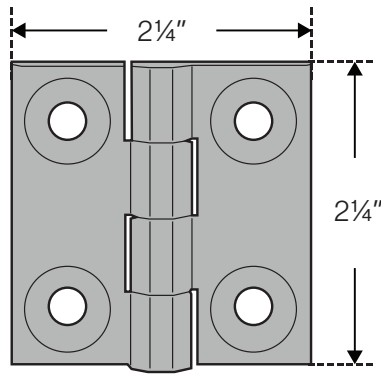
Front Mount Hardware



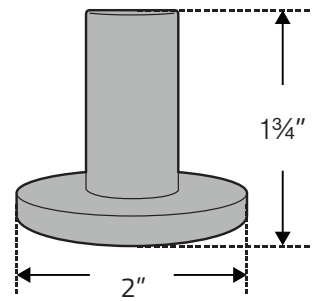
Top Mount Hardware



Bottom Pivot Plate



Door Hinge



Rail Spacer

More Barn Door Options



Also available from CSH:



Mini Barn Door Hardware



InvisiDoors



Rolling Ladders



📍 1170 Wauwatosa Rd.
Cedarburg, WI 53012

☎️ (262) 365-7960

🌐 cshardware.com