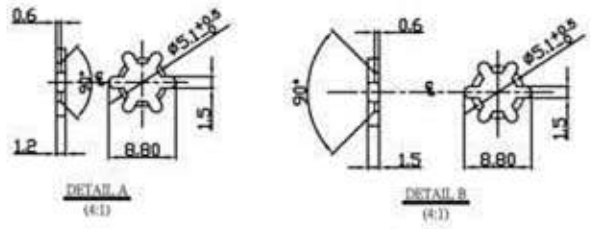
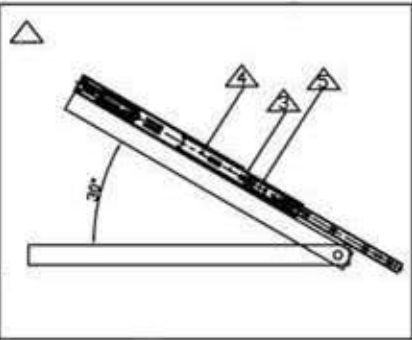


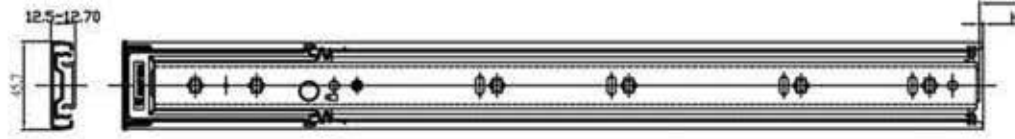
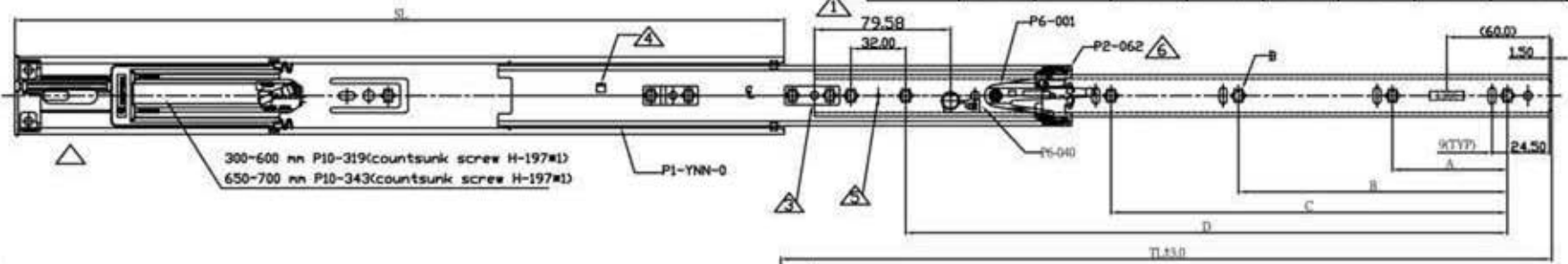
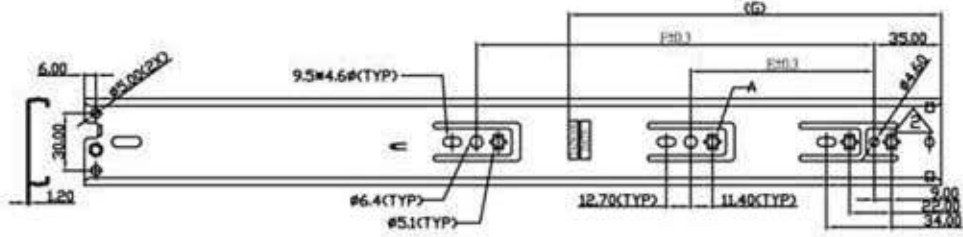
1140 SPECS





REV	DATE	DESCRIPTION	DRW
△	2009/10/29	Add note 650-700mm soft close material number	
5	2009/10/29	CN98145 Hole change 3.5 --> 2.0mm	
6	2009/11/05	CN98140 P2-062-1 change to P2-062-2	
△	2009/12/09	CN98162 600mm P10-319-2 change to P10-343-0	

SIZE	300	350	400	450	500	550	600	650	700
SL	300.0	350.0	400.0	450.0	500.0	550.0	600.0	650.0	700.0
TL	225.0	275.0	375.0	450.0	500.0	550.0	600.0	650.0	700.0
A	64.00	112.00	160.00	96.00	96.00	96.00	128.00	128.00	128.00
B				192.00	224.00	224.00	224.00	288.00	288.00
C						384.00	416.00	448.00	448.00
D	192.00	256.00	304.00	352.0	400.00	448.00	496.00	544.00	592.00
E		112.0	160.0	96.0	128.00	160.00	192.00	192.00	224.00
F				208.0	256.0	320.0	368.0	416.0	464.0
G	115.0	115.0	160.0	200.0	220.0	270.0	300.0	5.00	5.00
H	2.00	2.00	2.00	2.00	2.00	2.00	2.00	5.00	5.00



CUSTOM SERVICE HARDWARE
 1170 WAUWATOSA ROAD
 CEDARBURG, WI 53012
 800-882-0009



NOTES:

- MATERIAL: SLIDE MEMBERS AND COMPONENT PARTS WORK - HARDENED, COLD - ROLLED STEEL.
- BALL BEARINGS: CARBURIZED STEEL.
- PULL FORCE: 1.2-1.5kg/pc.
- FINISH: ELECTRO - ZINC PLATED, CHROMATIC COATED CLEAR OR BLACK.
- DISCONNECTED DESIGN.
- LUBRICANT: ANTIWEAR AND EXTREME PRESSURE PROPERTIES.
- TOLERANCES ARE FOLLOWS UNLESS OTHERWISE SPECIFIED.

XX	±0.30
X	±0.76
HOLES	±0.15
ANGLE	±1°

DRW:	DATE: 2009/02/10	MATERIAL:	
CKD:	CUSTOMER P/N:	FINISH:	
APPD:	CUSTOMER	SCALE: UNIT: mm CLASSIFICATION:	MODEL: P/N: D/N:
			TITLE: DRAWING ASS'Y SHEET 1 OF 1 REV/R6