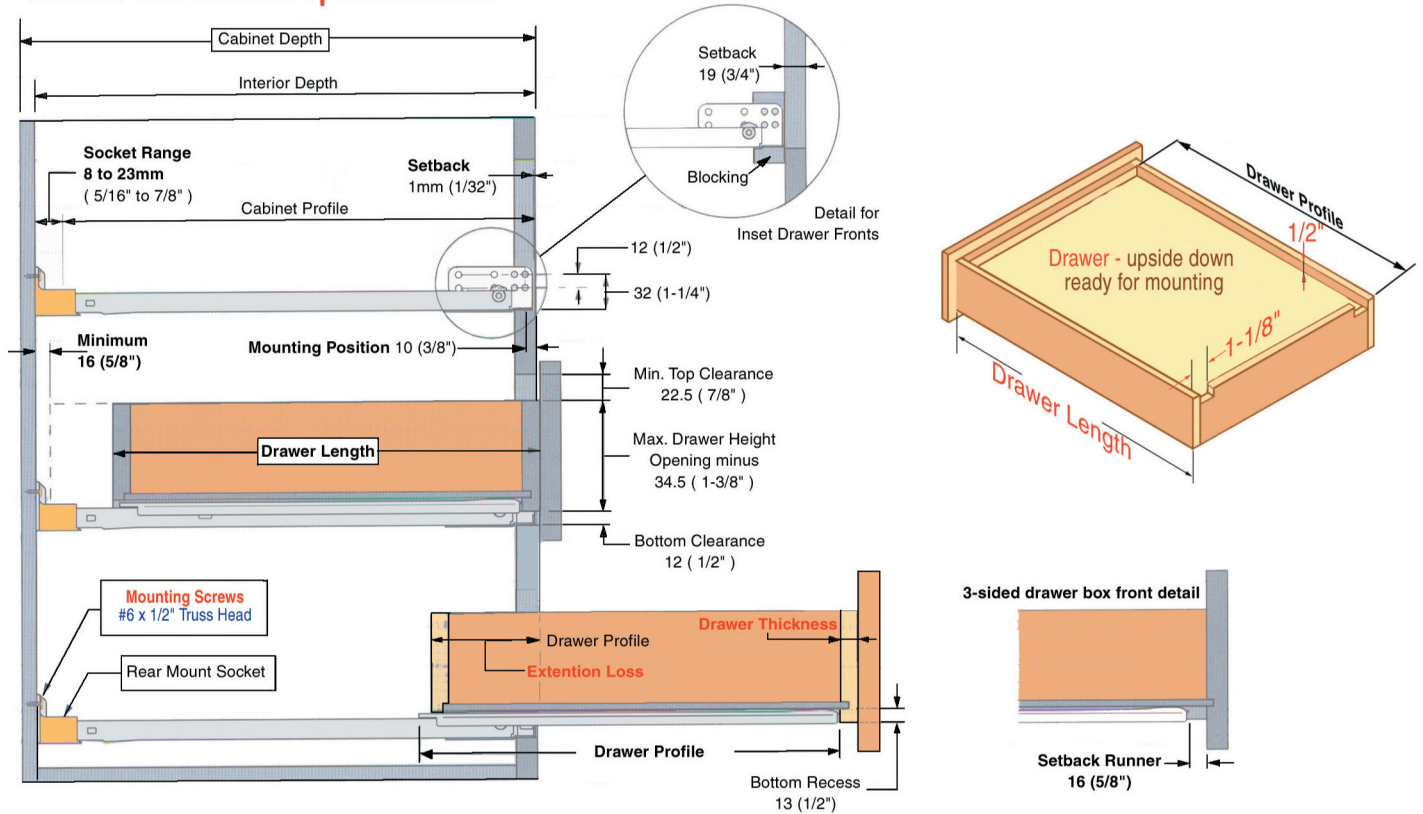


# **330 CONCEALED SPECS**



# 330 Concealed Drawer Slide

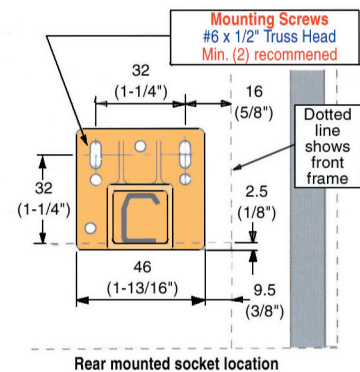
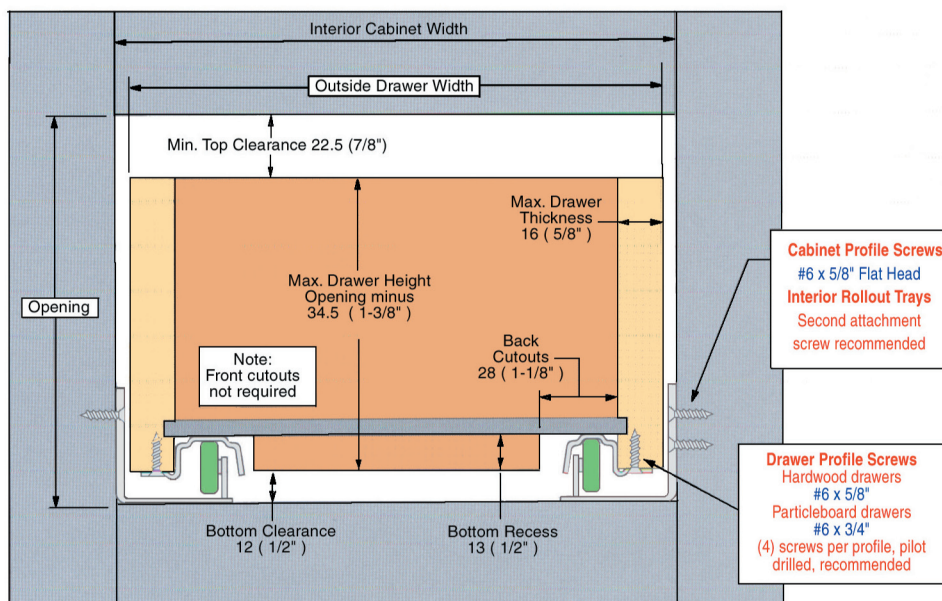
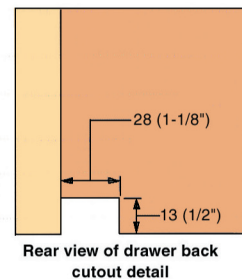
## Drawer and cabinet specifications



### Calculating Outside Drawer Width

For drawer thickness	16 (5/8")	14 (9/16")	13 (1/2")	11 (7/16")
Deduct from interior cabinet width	10 (3/8")	14 (9/16")	16 (5/8")	20 (3/4")

**Example:**  
 24" interior cabinet width  
 5/8" drawer thickness  
 $24" - 3/8" = 23-5/8"$  outside drawer width



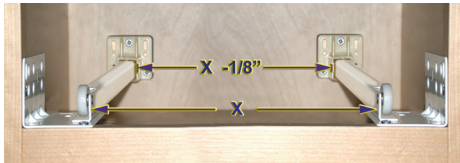
Max. Drawer Height and Min. Top clearance are based on ability to remove drawer straight and without tilting.  
 Smaller top clearances can be achieved with a shorter drawer or if drawer tilting is acceptable. A trial is recommended.

# 330 Concealed Drawer Slide

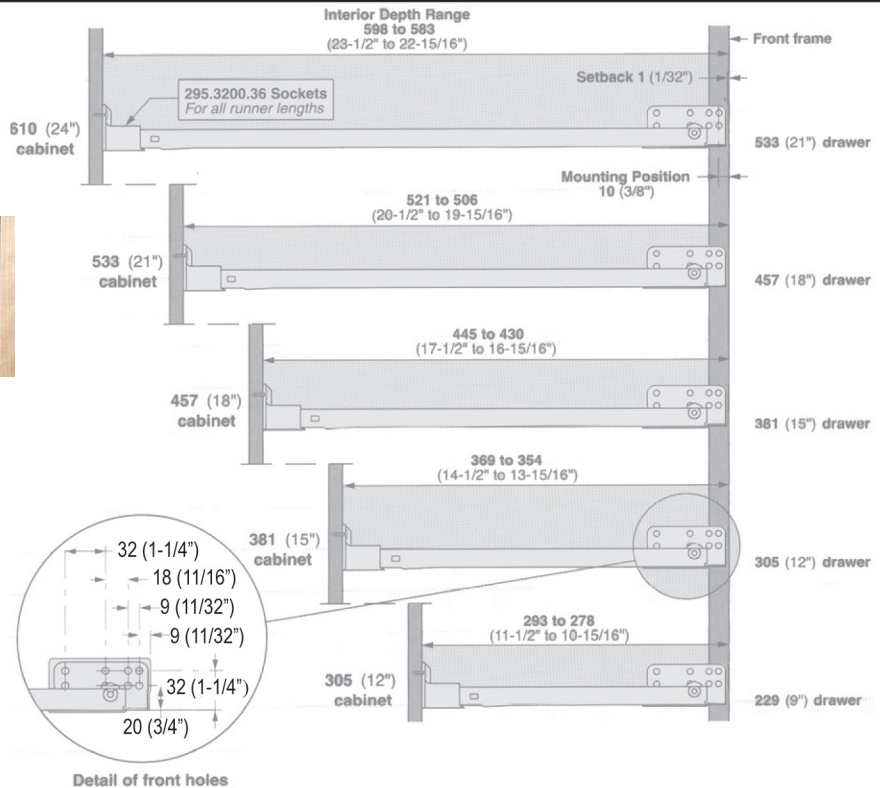
## Overlay Applications

Runner	Cabinet Depth	Interior Depth			Max. Drawer Thk.	Expansion Loss	Cabinet Profile Length	Drawer Profile Length
		Maximum	Minimum	Drawer Length				
262H5330	610 (24")	598 (23-1/2")	583 (22-15/16")	533 (21")	16 (5/8")	112 (4-7/16")	574 (22-9/16")	528 (20-3/4")
262H4570	533 (21")	521 (20-1/2")	506 (19-15/16")	457 (18")		102 (4")	497 (19-9/16")	451 (17-3/4")
262H3810	457 (18")	445 (17-1/2")	430 (16-15/16")	381 (15")		92 (3-5/8")	421 (16-9/16")	375 (14-3/4")
262H3050	381 (15")	369 (14-1/2")	354 (13-15/16")	305 (12")		82 (3-1/4")	345 (13-9/16")	299 (11-3/4")
262H2290	305 (12")	293 (11-1/2")	278 (10-15/16")	229 (9")		69 (2-3/4")	269 (10-9/16")	223 (8-3/4")

**Extension Loss** based on listed drawer length with drawer thk. of 5/8". For 1/2" drawer thk. add 1/8" to Extension Loss.



Back Socket Dimensions



## Inset Applications

Runner	Cabinet Depth	Interior Depth			Max. Drawer Thk.	Expansion Loss	Cabinet Profile Length	Drawer Profile Length
		Maximum	Minimum	Drawer Length				
262H5330	610 (24")	598 (23-1/2")	583 (22-15/16")	533 (21")	16 (5/8")	112 (4-7/16")	574 (22-9/16")	528 (20-3/4")
262H4570	533 (21")	521 (20-1/2")	506 (19-15/16")	457 (18")		102 (4")	497 (19-9/16")	451 (17-3/4")

\* **Extension Loss** based on listed drawer length with drawer thk. of 5/8". For 1/2" drawer thk. add 1/8" to Extension Loss.

**Setback and Mounting Position** based on drawer thk. of 5/8" with 3/4" drawer front thk. fitting flush to front of frame.

