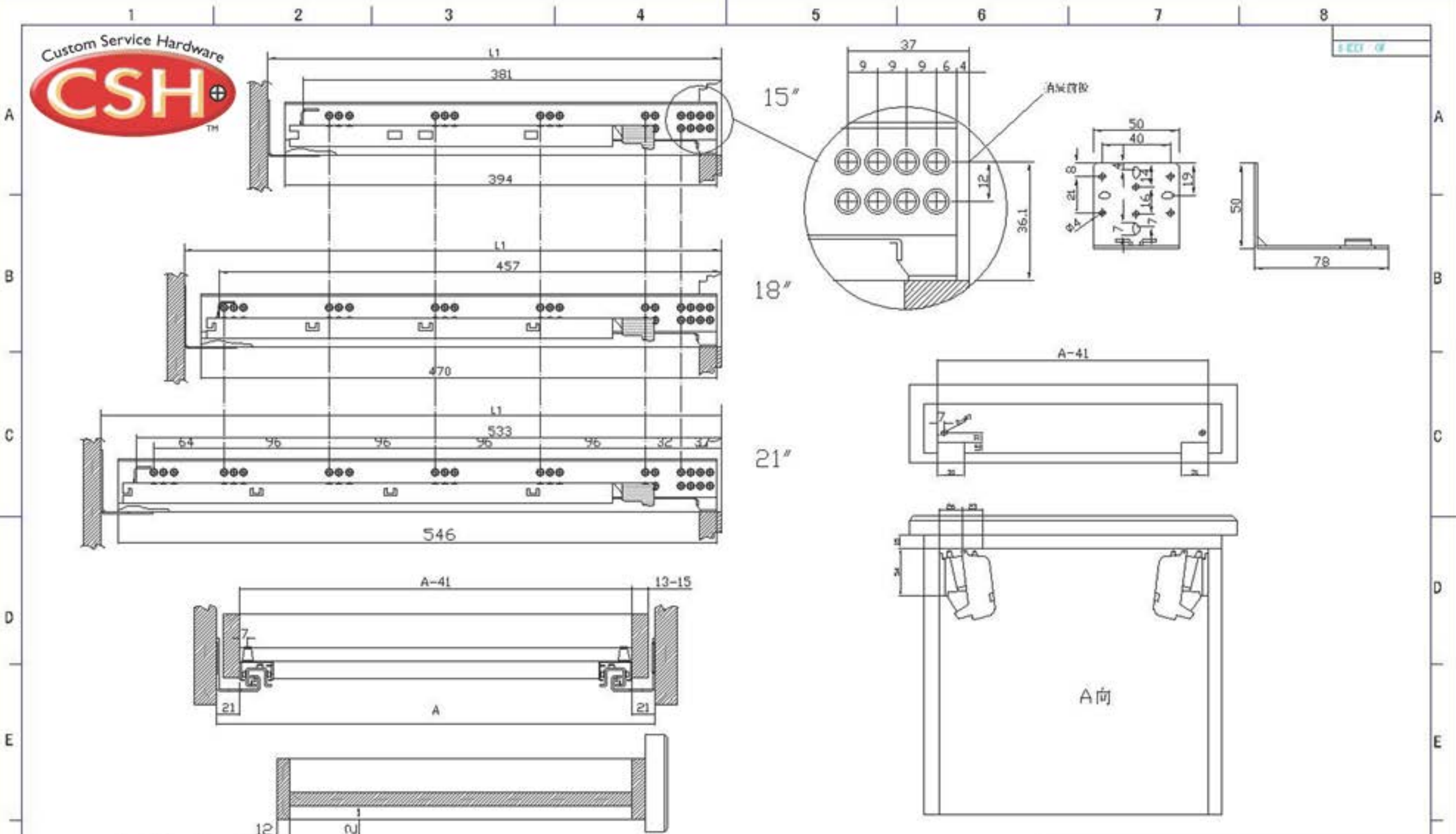


3300 SPECS





SECTION G



15"	15"	21"	
DRAWER LENGTH	381	457	533
CABINET MIN. DEPTH	413	489	555
CABINET MAX. DEPTH	443	519	585

DIM.	0~3mm	3~10mm	10~30mm	30~100mm	100~300mm	300mm~以上
Tolerance	±0.05mm	±0.1mm	±0.25mm	±1mm	±3mm	±5mm

DRAWING NO:		Installation diagrams		APPROVED		DATE	
TOTAL:		UNIT SCALE		CHECK		DATE	
DIMENSION CLASSIFICATION		mm		DRAWN BY		DATE	
● CRITICAL		A4					
○ MAJOR							

MARK	REV.	DESCRIPTION	DATE
------	------	-------------	------