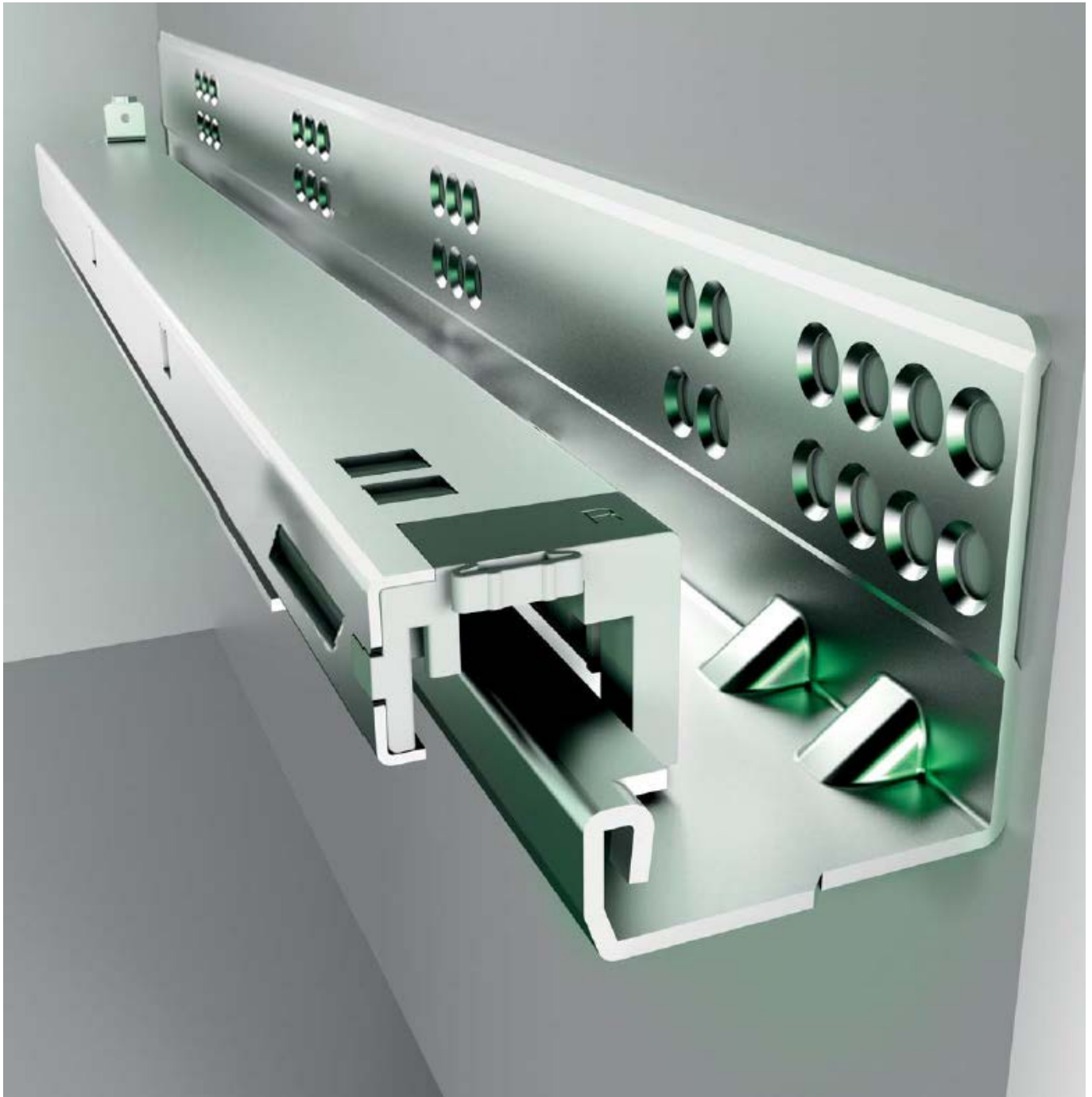




Excel



***A new generation
of slides***





The right feeling

Slides are made for sliding! It seems obvious, but to provide a good performance to drawer slides, you need more than a few pieces put together. High quality materials for profiles and rollers, tight tolerances on each component in the assembly process and a constant care for every aspect are the conditions under which a slide delivers the right feeling, when opening a drawer. Pull-out resistance, damping power and guaranteed closure are the result of Italian design and home grown technology of a market leader.

Concealed technology

Technology needs to stand back, where design is taking over. Furniture hardware needs to accomplish its function with discretion and efficiency. Undermount slides are today a must and are replacing step by step roller slides or ball bearing slides. EXCEL under slung slides for single or full extension are technologically advanced solutions to move drawers over a life long period and to ensure a high comfort in complete discretion. Clearly present, virtually invisible, EXCEL slides are doing their work in a concealed manner.



Performance and quality

EXCEL slides are tested and approved to the highest quality standards. Conform to level 3 of ISO 7170:2005, the whole range covering the standard slides, the SlowMotion^{FR} version and the OneTouch version are built to last at least 80.000 cycles, representing more than two decades of constant use. CATAS certification is backing this claim. Formenti & Giovenzana SpA as a company is EN ISO 9001:2008 certified and aims to always deliver products with highest quality standards.



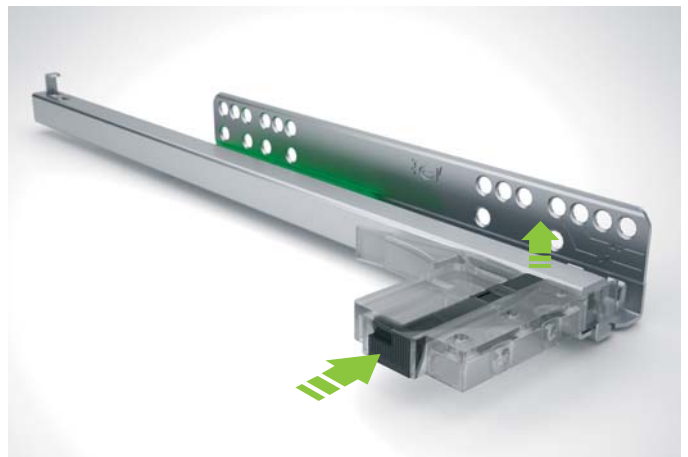
SlowMotion damper

Thanks to FGV adaptive damping technology, Excel slides are increasing the showroom appeal and improving the comfort in day-to-day usage. Developing a high energy level at impact, the drawer's travel is fully under control, ensuring that most of the force required is supplied from the start on. In the last millimeters of closure, the new FinalRelease feature ensures that drawers are always closing, even when the cabinet is out of tolerance or the assembly not perfect.



Tolerance build in

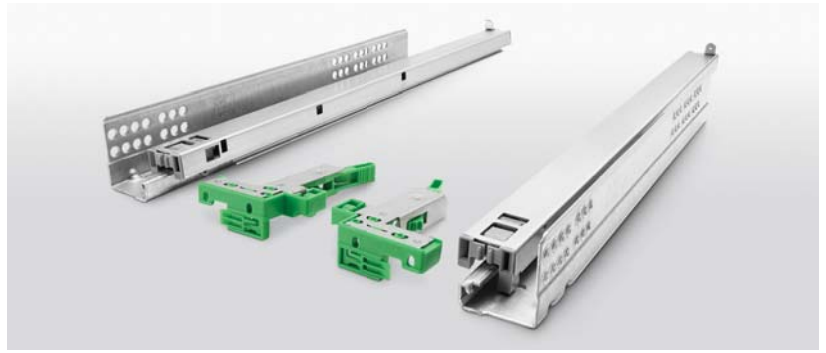
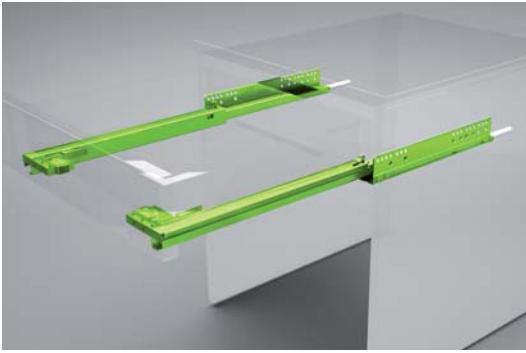
Producing furniture means accepting tolerances. Out of tolerance cabinet or drawer dimensions, parallax errors in the cabinet hole drilling or slide assembly are facts of life in furniture production. Excel slides are made for woodworkers and cope extremely well with adverse conditions. And on top, the easy height adjustment without dismantling the drawer is making the life of the industry and the trade a lot easier.



Adjustment and Anti-lift

The Excel slides benefit from the new height adjustment system and the Anti-lift feature to improve significantly ease of use and quality of this concealed slides.





Excel full extension Easy-Fix

Benefits for the industry

- Large range of standard depths from 250 to 550 mm
- Full extension for complete drawer access
- Very tolerant due to built-in flexibility
- New generation of SlowMotion^{FR} damping with stop-close feature and FinalRelease feature to always guarantee drawer closure also under adverse conditions
- Easy-Fix rapid fixing for ease of assembly and integrated anti-lift feature
- 3D adjustment for an easy and quick drawer alignment
- Excellent load ability with 30kg dynamic standard capacity throughout the range

Benefits for the consumer

- Smooth functioning thanks to new generation of wheel design
- Comfortable full extension for improved accessibility and ease of use
- Lasting quality thanks to optimised materials
- Hidden assembly for high quality perception of the whole cabinet
- Adaptive SlowMotion^{FR} damping for noiseless closing
- High-end OneTouch handleless operation

Code	Description	Packing
EXSC1215K6AV	Excel 12" + SlowMotion for 15" deep drawer (1 set)	Distribution
EXSC1518K6AV	Excel 15" + SlowMotion for 18" deep drawer (1 set)	Distribution
EXSC1821K6AV	Excel 18" + SlowMotion for 350mm deep drawer (1 set)	Distribution
EXSC2124K6AV	Excel 21" + SlowMotion for 24" deep drawer (1 set)	Distribution
EXTO1215K6AV	Excel 12" + OneTouch for 15" deep drawer (1 set)	Distribution
EXTO1518K6AV	Excel 15" + OneTouch for 18" deep drawer (1 set)	Distribution
EXTO1821K6AV	Excel 18" + OneTouch for 21" deep drawer (1 set)	Distribution
EXTO2124K6AV	Excel 21" + OneTouch for 24" deep drawer (1 set)	Distribution

Distribution packing includes:

- 1 set of Excel slides in carton with set of Easy-Fix front locking devices in carton
- 6 sets per master carton



Easy-Fix



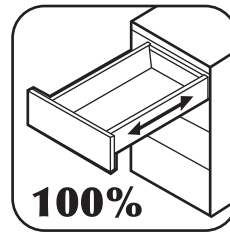
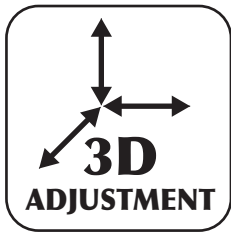
OneTouch

Handleless cabinets are part of modern furniture design. FGV OneTouch technology is precise, reliable and works over a large range of drawer width.

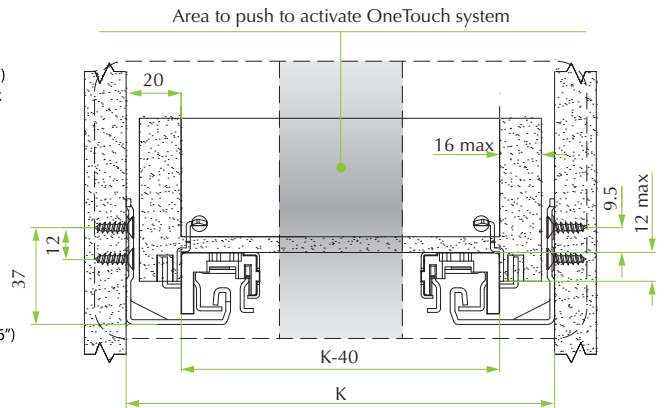
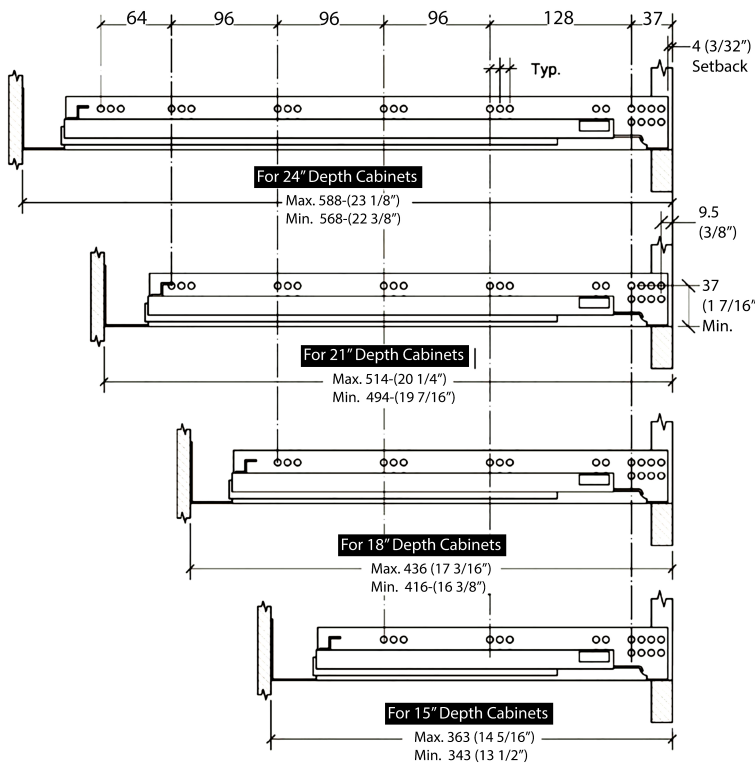


SlowMotion^{FR}

All new adaptive stop close damping device ensures a strong damping force and perfect closing of the drawer in every condition.

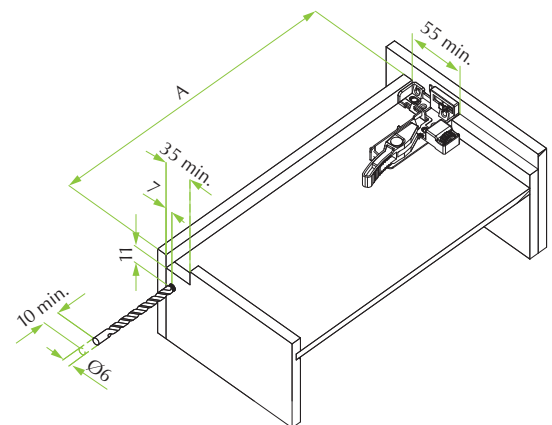
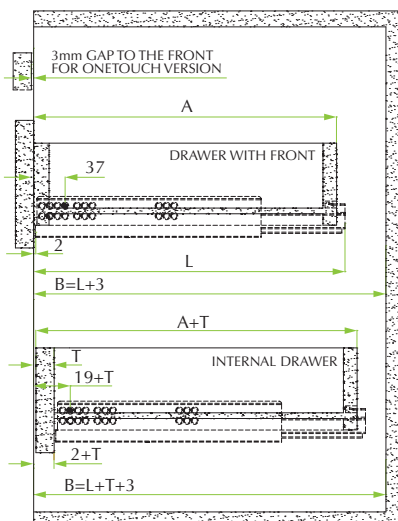


Slides fixing dimensions



L = EXCEL SLIDE NOMINAL LENGTH
 A = DRAWER DEPTH
 B = CABINET INTERNAL DEPTH
 K = CABINET INTERNAL WIDTH
 AV = EXTENSION LOSS
 (The OneTouch system is guaranteed for drawers with width max 600mm)

Drawer mounting & dimensions



L	12 in	15 in	18 in	21 in
A	305 mm	381 mm	457 mm	533mm

**FGV AMERICA Inc.**

Chatsworth CA & Winston-Salem NC - USA

Tel. 714-257-5317

info@fgvamerica.com

www.fgvamerica.com

**FORMENTI & GIOVENZANA S.p.A.**

Via Concordia, 16

20837 Veduggio con Colzano (MB) - ITALY

Tel. +39 0362 947.1 r.a. - Fax +39 0362 998788

info@fgv.it

www.fgv.it

FGV SLOVAKIA, Spol s r.o.

Partizánska cesta 73, P.O.BOX 87

957 01 Bánovce nad Bebravou - SLOVAKIA

Tel. +421 (0) 38 7626 100 - Fax +421 (0) 38 7626 105

info@fgv.sk

FGVTN BRASIL LTDA.

Rua Francisco Derosso, 1352

Curitiba Paraná 81710 000 - BRASIL

Tel. +55 41 2107 4411 - Fax +55 41 3275 3038

fgvtn@fgvtn.com.br - www.fgvtn.com.br

FGV ASIA Limited

Unit 1602, 16/F., Metropolis Tower

10 Metropolis Drive, Hunghom,

Kowloon, Hong Kong - P.R.CHINA

Tel. +852 2762 1534 - Fax +852 2648 7389

info@fgvasia.com - www.fgvasia.com

FGV (Guangzhou) Company Limited

Units 2710-2711, Yang Cheng International Trading Centre

East Tower, Ti Yu Dong Lu, No. 122

Guangzhou - P R CHINA

Tel. +86 20 38870570 - Fax +86 20 38870323

info@fgvchina.com - www.fgvchina.com

DEUTSCHE FGV Formenti & Giovenzana Möbelbeschläge GmbH

Industriestr. 44

D-33397 Rietberg - GERMANY

Tel. +49 (0) 5244-9708-0 - Fax +49 (0) 5244-9708-15

www.fgvgermany.com

FORMENTI & GIOVENZANA POLSKA Sp. z o.o.

Ul. Boleslawiecka 8a

98-400 Wieruszów - POLAND

Tel. +48 62 58 10 400 - Fax +48 62 58 10 480

www.fgvpolaska.pl

FGV UKRAINE TOB

Вул. Черновола 39

08132 Вишневе, Київська обл., Україна

Тел. +38 044 333 56 23

Факс +38 044 333 56 24

info@fgv.kiev.ua

FGV SERVICE VENETO S.r.l.

Via Pietro Bassani, 12

33170 Pordenone (PN) - ITALY

Tel. +39 0434 572728

info@fgvserviceveneto.com

FGV SERVICE CENTRO-SUD

Via Massimo d'Antona, 6i

60033 Chiaravalle (AN) - ITALY

Tel. +39 071 7451125 - Fax +39 071 7496441

infocentrosud@fgvservice.com