

4050 G-SLIDE SPECS



with Push-Rebound

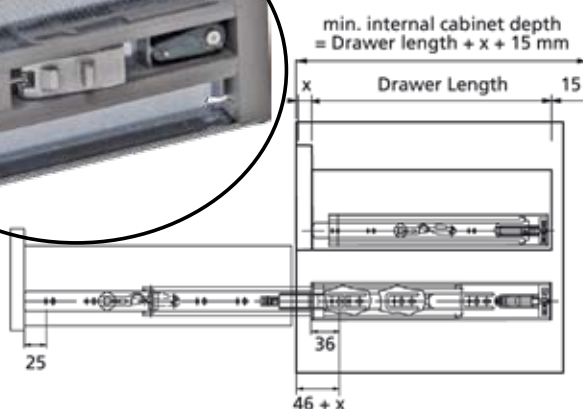


FEATURES

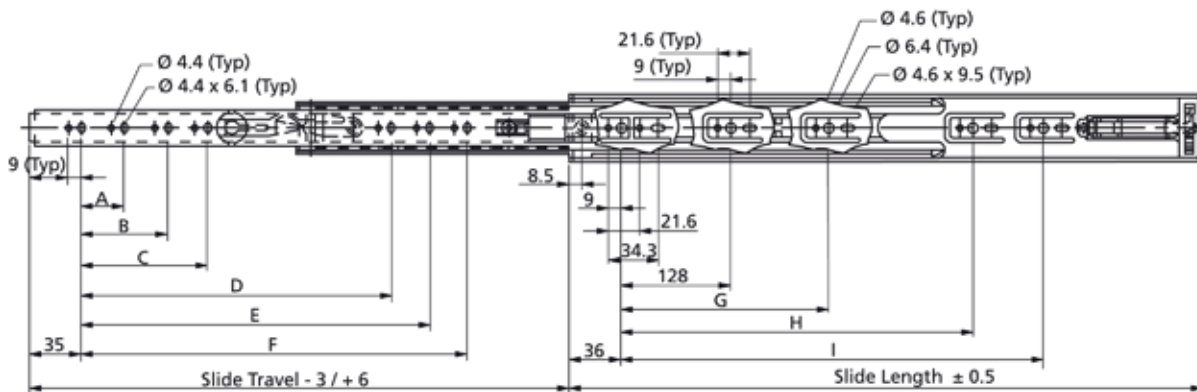
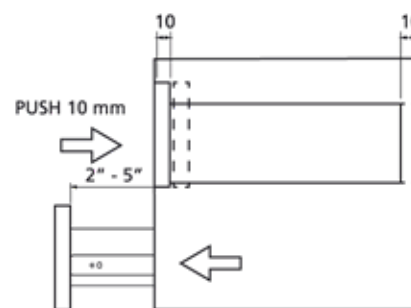
- ▶ Push-rebound mechanism completely integrated in slide allowing easy installation
- ▶ 3/8" (10mm) required to engage drawer opening
- ▶ Non-handed disconnect release
- ▶ Clear zinc finish
- ▶ Screw mounting system 32mm compatible
- ▶ Recommended for inset drawer fronts
- ▶ 17/32" - 13mm slide spacing
- ▶ Load rating 100 lbs capacity



22" length (75 lbs for epoxy finish)



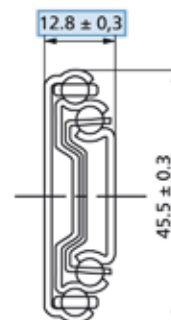
Under horizontal installation, drawer will rebound 2" - 5" when pushing



See Reverse side for pricing

Model 4050

Size	Length	Travel	A	B	C	D	E	F	G	H	I
14"	350	380	96					256	192		
16"	400	430	128					294	224		
18"	450	481	96	160				344	288		
20"	500	532	96	160	352			394	224	352	
22"	550	583	128	192	384			444	224	352	
24"	600	634	128	224	416			494	224	352	448
26"	650	684	128	224	416	480		544	224	352	480
28"	700	735	128	224	288	480	544	594	224	352	544





Where **Service** is more than a middle name
it's our main business!

4050 G-Slide Push-Rebound slides

Part Number	Each	Case	10-case
GS.4050.14	\$8.45	\$7.75	\$7.15
GS.4050.16	8.98	8.23	7.60
GS.4050.18	9.69	8.88	8.20
GS.4050.20	10.22	9.37	8.65
GS.4050.22	10.80	9.90	9.14
GS.4050.24	11.56	10.60	9.78
GS.4050.26	12.18	11.17	10.31
GS.4050.28	12.76	11.70	10.80

12", 14", 16" CASE QUANTITY = 20 sets

18" - 28" CASE QUANTITY = 10 sets

Call your friendly CSH sales representative today!

Or visit our Website www.cshardware.com

Phone 800-882-0009

Fax 262-375-7970