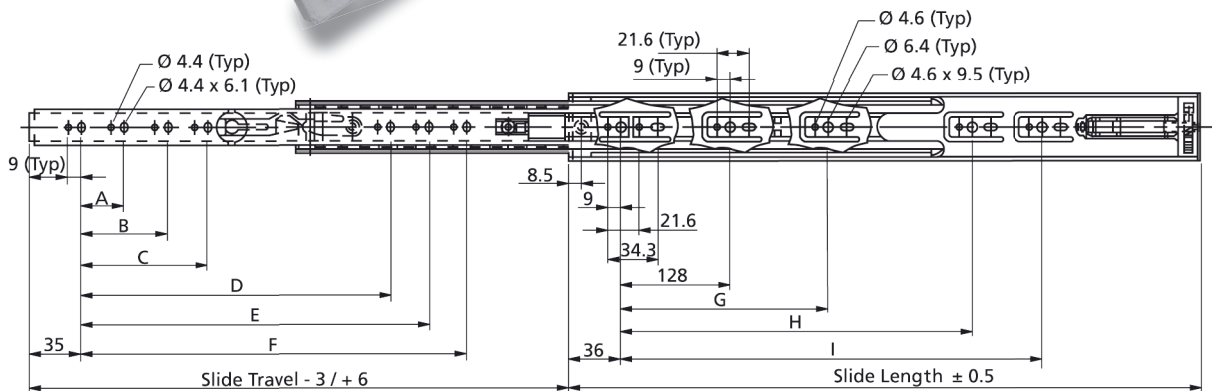
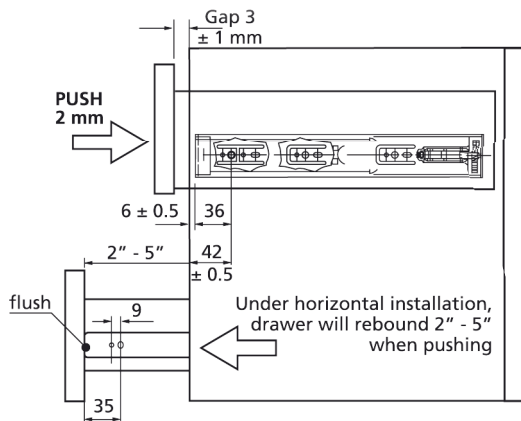
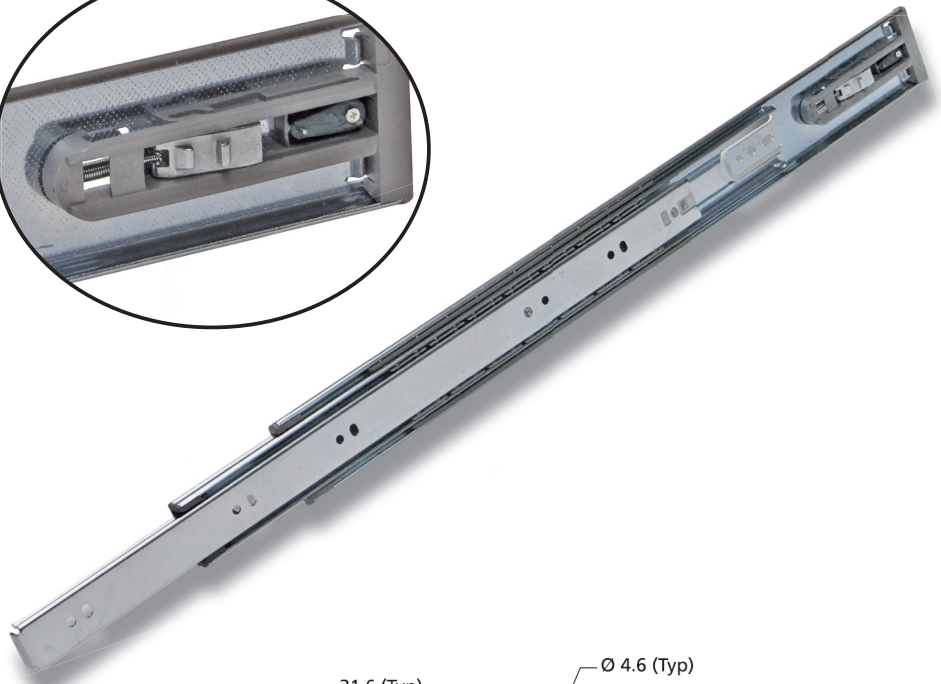
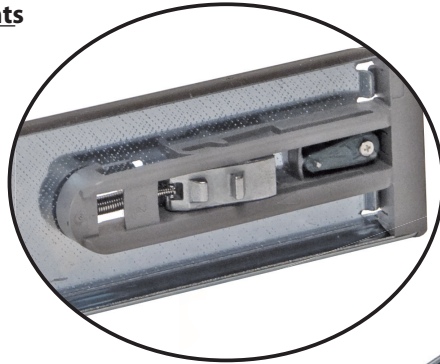


4060 G-SLIDE SPECS

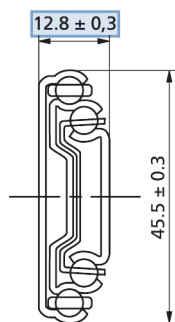


▶ FEATURES

- ▶ Push-rebound mechanism completely integrated in slide allowing easy installation
- ▶ Only 1/16" (2mm) required to engage drawer opening
- ▶ Non-handed disconnect release
- ▶ Clear zinc finish
- ▶ Screw mounting system 32mm compatible
- ▶ Suitable for inset or overlay drawer fronts
- ▶ 17/32" - 13mm slide spacing
- ▶ Load rating 100 lbs capacity



**See
Reverse side
for pricing**



Model 4060												max. Drawer
Size	Length	Travel	A	B	C	D	E	F	G	H	I	Width (mm)
14"	350	356	96					256	192			450
16"	400	406	128					294	224			500
18"	450	457	96	160				344	288			550
20"	500	508	96	160	352			394	224	352		600
22"	550	559	128	192	384			444	224	352		650
24"	600	610	128	224	416			494	224	352	448	700
26"	650	660	128	224	416	480		544	224	352	480	750
28"	700	711	128	224	288	480	544	594	224	352	544	800



Where **Service** is more than a middle name
it's our main business!

4060 G-Slide Push-Rebound slides

Part Number	Each	Case	10-case
GS.4060.12	\$8.60	\$7.88	\$7.28
GS.4060.14	8.89	8.15	7.52
GS.4060.16	9.44	8.65	7.98
GS.4060.18	10.20	9.35	8.63
GS.4060.20	10.73	9.83	9.08
GS.4060.22	11.35	10.40	9.60
GS.4060.24	12.16	11.15	10.29
GS.4060.26	12.80	11.73	10.83
GS.4060.28	13.42	12.30	11.35

12", 14", 16" CASE QUANTITY = 20 sets

18" - 28" CASE QUANTITY = 10 sets

Call your friendly CSH sales representative today!

Or visit our Website www.cshardware.com

Phone 800-882-0009

Fax 262-375-7970