

QUADRO IW21 SILENT SYSTEM



QUADRO IW 21 Silent System

Full-extension runner for wooden drawers

Load capacity up to 75 lbs dynamic, 100 lbs static



- Load capacity up to 75 lbs dynamic, 100 lbs static
- Perfect vertical and lateral stability.
The robust, resilient tracks ensure optimal runner action through precision-guided steel balls.
- Maintenance-free through self-cleaning ball tracks.
- **Soft closure with selfclose** – the spring-operated mechanism acts independently of load and closes the drawer safely and automatically.
- **Slide-on assembly** – simply place the drawer on the runners and push in for connection.
- **Flexibility through interchangeability** – Quadro partial and full extension runners interchange without altering drawer dimensions.
- For 5/8" (16 mm) drawer material thickness and 1/2" (12 mm).
- **Silent System:** the damping device integrated in Quadro IW 21 closes the drawer softly and soundlessly.

Article	Order no.	Cabinet depth inch	Drawer box length inch	Sets per box
Quadro IW 21 Silent System 9"	9 048 982	9 9/16 - 13 1/8	9	10
Quadro IW 21 Silent System 12"	9 048 740	12 3/4 - 15 3/8	12	10
Quadro IW 21 Silent System 15"	9 048 976	15 3/4 - 18 3/8	15	10
Quadro IW 21 Silent System 18"	9 048 793	18 3/4 - 21 3/8	18	10
Quadro IW 21 Silent System 21"	9 048 776	21 3/4 - 24 3/8	21	10

Values are based on using plastic rear attachment set (9 026 835)
When using metal rear attachment set (9 055 093) add 1/6" to max. cabinet depth

Quadro IW 21 accessories

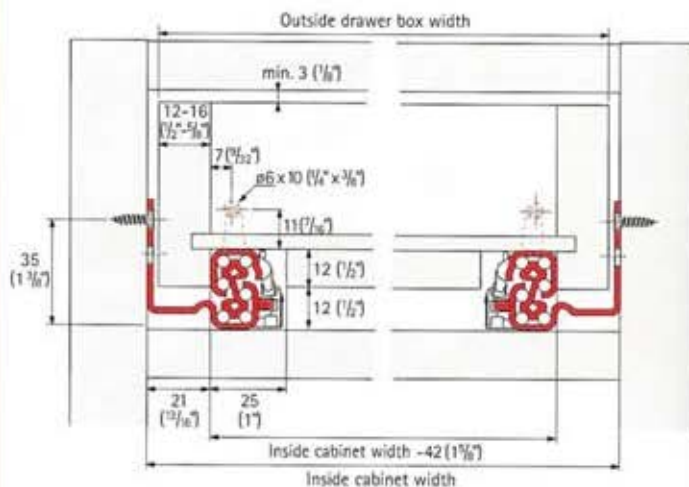
Front fixing clip set

contains:

- 1 front fixing clip left
- 1 front fixing clip right
- 2 spacers for 1/2" (12 mm) box thickness



Assembly front fixing clip



Outside drawer box width

For box thickness	Deduct from inside cabinet width
1/2"	5/8" 5/16" per side
5/8"	3/8" 3/16" per side

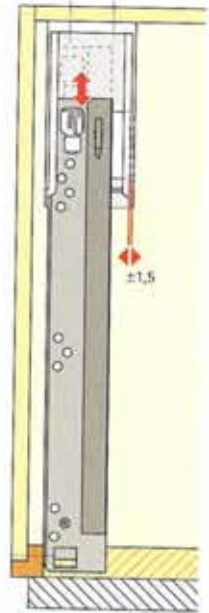
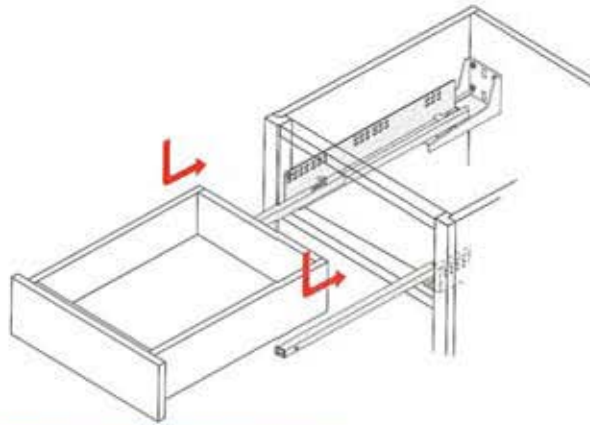
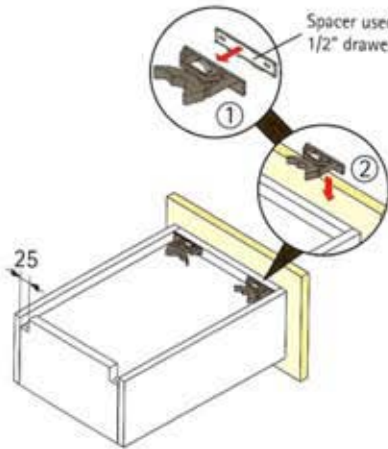
Article	Order no.	PU
Front fixing clip set	9 026 839	10 sets



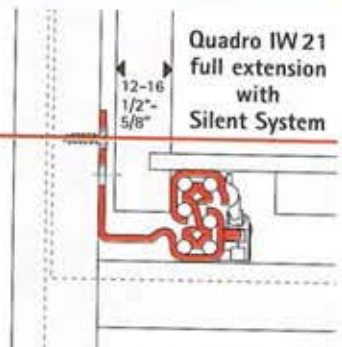
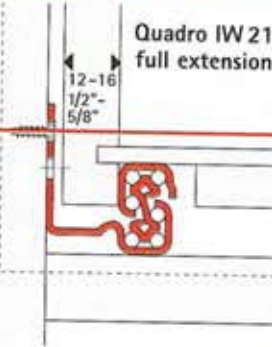
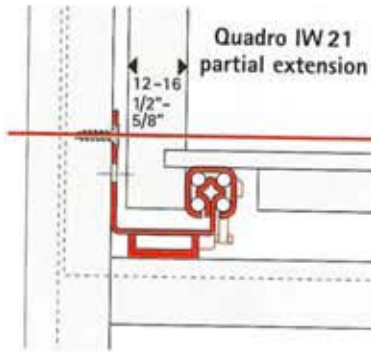
Assembly

The flexible rear connector is capable of serving different cabinet depths with just one drawer length.

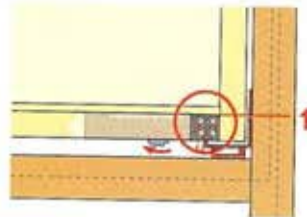
Drawer must be notched at rear



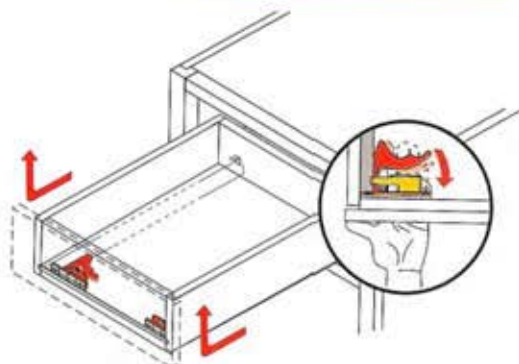
The hole pattern is identical for Quadro IW 21 partial, full extension runners and full extension runners with Silent System.



Toolless height adjustment + 2 mm

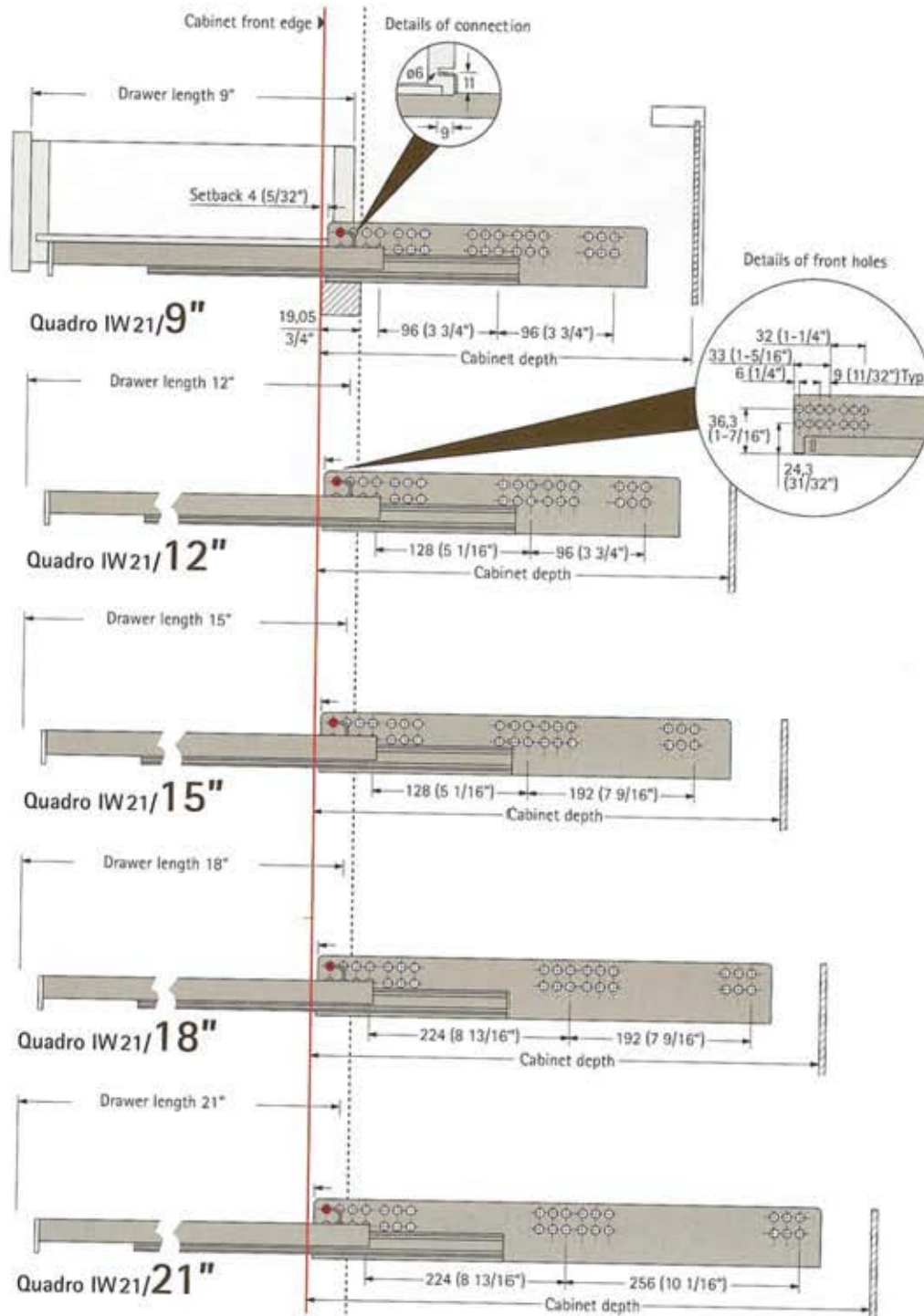


Disassembly





Hole pattern for Quadro IW21
Drawer length 9" - 21"



QUADRO IW 21

Optional accessories

Rear attachment set (screw-on)

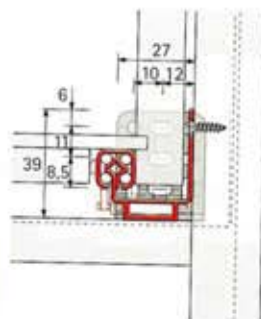
contains:

- 2 rear mount brackets, metal
- 2 sledges, plastic



Side adjustment $\pm 1,5$ mm
Additional adjustment via oblong holes

Article	Order no.	PU
Rear attachment set	9055093	10 sets



Rear attachment set

contains:

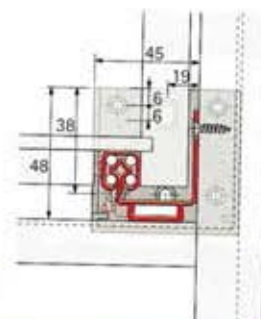
- 2 rear mount brackets, plastic
- 2 sledges, plastic



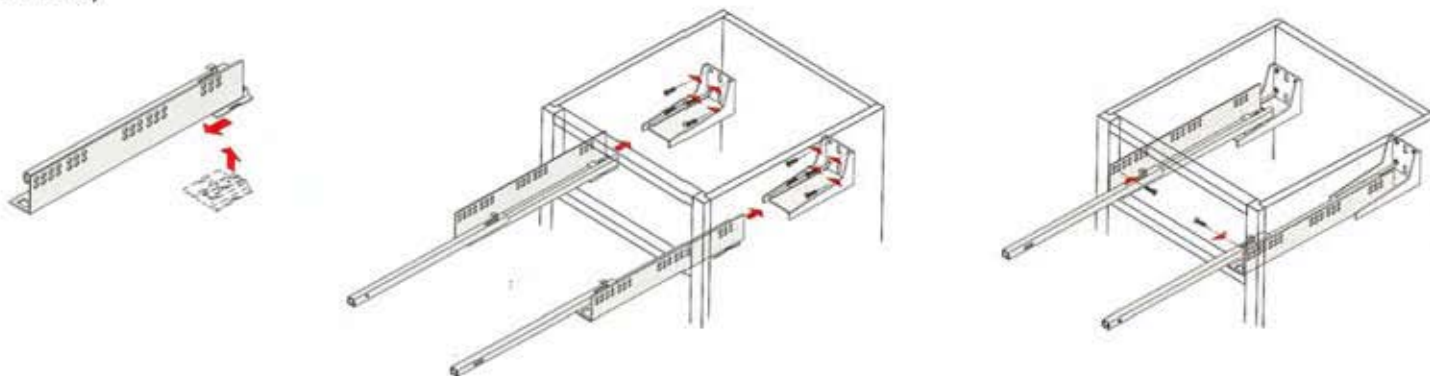
Side adjustment $\pm 1,5$ mm

Article	Order no.	PU
Rear attachment set	9026835	10 sets

Location of rear bracket



Assembly



Side attachment set

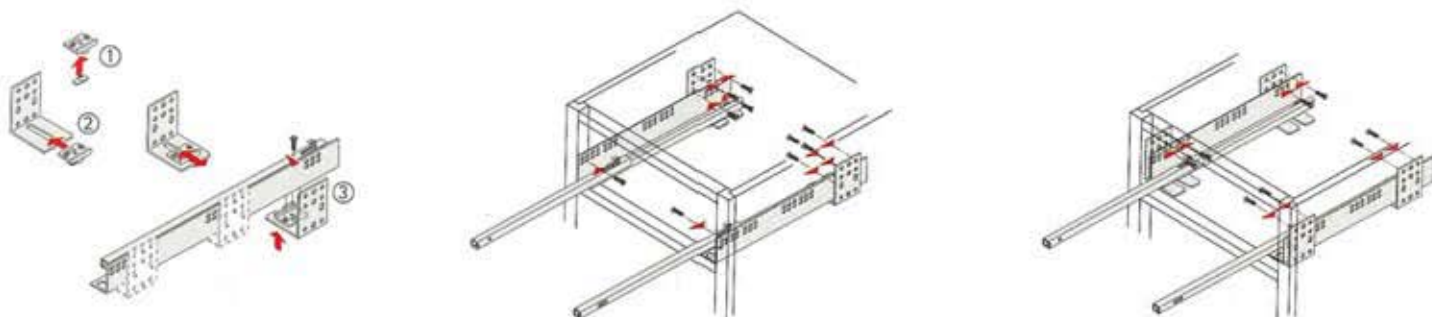
contains:

- 2 side brackets, metal
- 2 fixing items, plastic
- 2 special connecting nuts
- 2 connecting screws M4



Article	Order no.	Sets per box
Side attachment set	9036837	10 sets

Assembly



Important Notice

Hettich V6 and IW21 Installation Tips

Dear Valued Customer,

Thank you for your order. You have just received a quality Hettich V6 or IW21 self \ soft close drawer slide from Custom Service Hardware. In order to avoid accidental damage to this product we would like to give you a tip when mounting this drawer slide.

Just before attaching the drawer box to the slide, make sure the self \ soft close catch on the mechanism is held open towards the front of the drawer box and not retracted towards the cylinder. If you try to attach and close the drawer with the catch on the mechanism retracted, the catch may be damaged. If the drawer box is mounted properly, the catch will not be damaged with normal usage.

Thank you,

Custom Service Hardware

1.800.882.0009