

INVISISHELF BUILD KIT INSTRUCTIONS

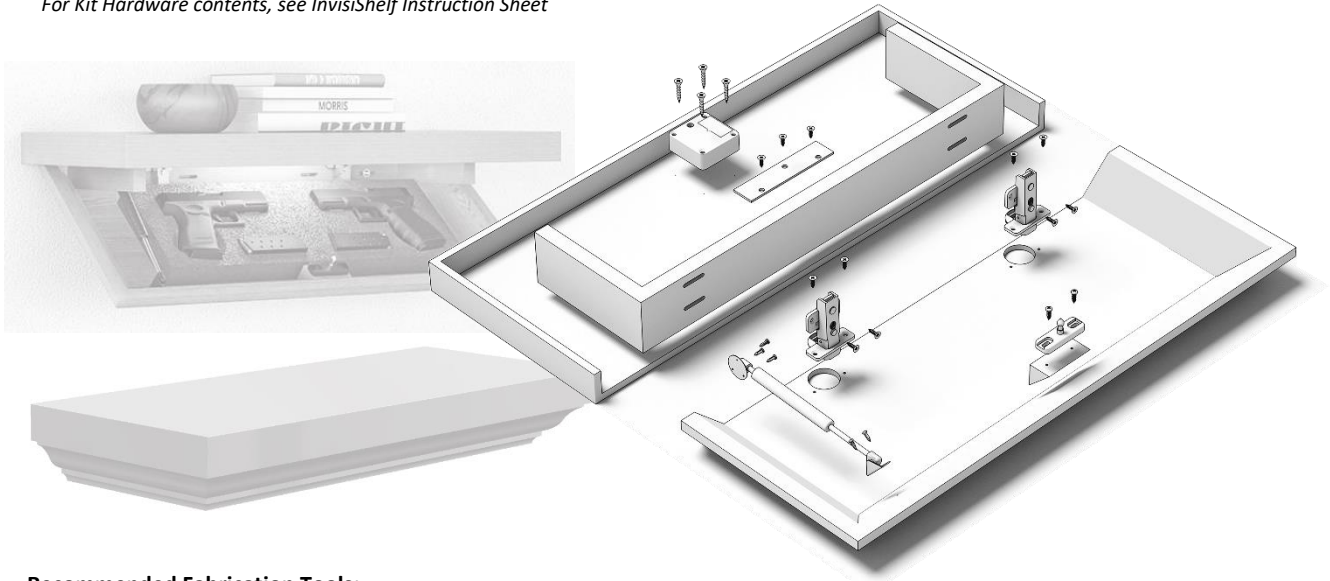


INVISISHELF KIT PLAN DETAILS FOR STANDARD 28" WIDTH

1. **FOR FABRICATION OF SHELF LARGER OR SMALLER THAN THE 28" STANDARD SIZE SHOWN, ADJUST PART SIZES ACCORDINGLY.**
2. **PLEASE REVIEW ENGINEERING DRAWINGS FIRST TO FAMILIARIZE YOURSELF WITH THE SCOPE OF THE PROJECT**

Lumber Required:

3' x 2' x 3/8" thick veneer plywood or stable hardwood— premium face grade
 3' x 2' x 3/4" thick veneer plywood or stable hardwood – premium face grade
 3" x 1.5" x 1.5" Block of matching Hardwood
 5' Long x 2-3/8" x 2-3/8" x 45° profile matching Hardwood Crown Molding
For Kit Hardware contents, see InvisiShelf Instruction Sheet



Recommended Fabrication Tools:

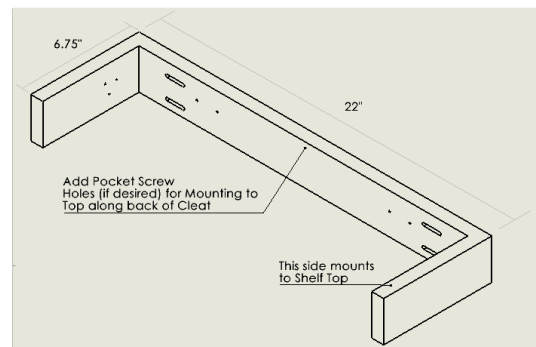
- | | |
|-----------------------------------------------------------------------------------------------------------------------------------------------------------------------------------------------------------------------------------------------------------------------------------------------------------------------------------|---------------------------------------------------------------------------------------------------------------------------------------------------------------------------------------------------------------|
| <ul style="list-style-type: none"> - Table Saw with adjustable angle up to 45° - Pin Nailer - Small Case Clamps and/or Squeeze Clamps - Power Drill with #2 Philips Bit, 3/32" Drill Bit and 5/64" Drill Bit - Flat Head Screw Driver (for popping on and off gas strut clips) | <ul style="list-style-type: none"> - Miter Saw - Wood Glue - Kreg Pocket Screw Jig - Hand Router with 3/16" router bit - Kreg 35mm Concealed Hinge Jig Kit |
|-----------------------------------------------------------------------------------------------------------------------------------------------------------------------------------------------------------------------------------------------------------------------------------------------------------------------------------|---------------------------------------------------------------------------------------------------------------------------------------------------------------------------------------------------------------|

Reference Drawing Notes:

- Dimensions shown in parenthesis are non-critical dimensions.
- Dimensions shown in capsules are critical for mounting hardware. Use hardware to transfer holes.

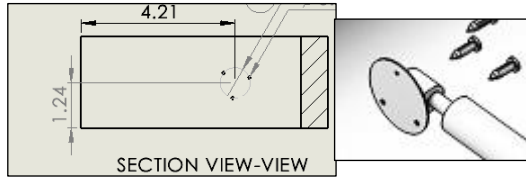
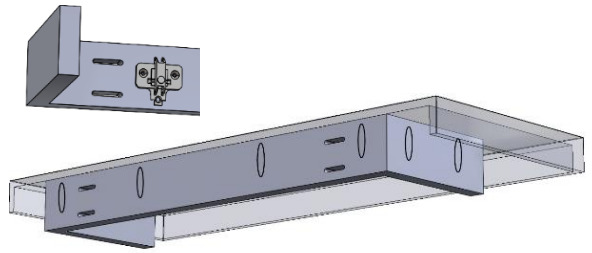
HSS-100 Wall Cleat

- Using the Table Saw, cut a square piece of veneer plywood or hardwood to 36" x 2.5".
- From that blank, Miter Saw cut 22" length and add 45° miters on each end.
- Cut (2) 6.75" lengths and add a 45° miter to one end of each.
- The 22" piece receives (4) slots on 16" center for wood studs to support the weight of the InvisiShelf and contents in and on it. Confirm Stud locations where the InvisiShelf is intended to be installed, so that the slots align with studs within the wall at desired location where shelf will be installed. Confirm stud spacing prior to drilling slots/holes for mounting InvisiShelf. Drill slots using hand router.



Cont.

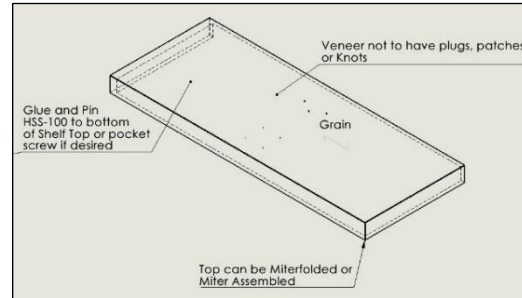
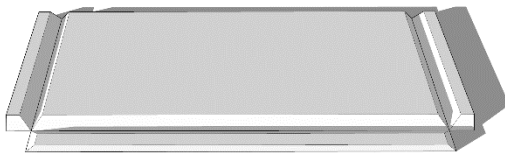
- Use Power Drill for (2) Hinge Plates on the front of the 22" piece using the 3/32" Drill Bit. Use the Hinge Plate hardware for transferring exact hole spacing and location.
- Add Pocket Screw Holes to the back side of the 22" piece and 6.75" sides if desired for assembly using the Pocket Hole Jig.



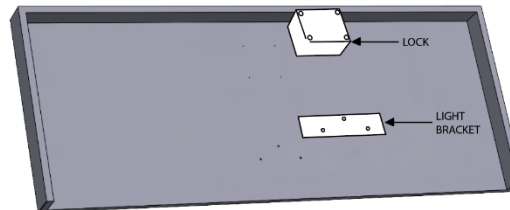
- Locate circular Strut Mount Bracket and location on Cleat where bracket will be installed. Transfer holes for mounting bracket. Hole orientation is not critical.
- Glue and Pin Nail miter assembly together. Clamp and let dry.

HSS-104 Shelf Top

- Start with a squared blank piece of 3/8" veneer plywood or hardwood cut to 27.5" x 10.75". Best wood faces should go to the Top/Outside. Apply 45° Miter to (1) long and (2) short sides. Rip (2) 10.75" x 1.63" strips of the same material. Apply 45° Miter to one end of each strip. Rip (1) 27.5" x 1.63" strip of the same material. Apply 45° Miter to both ends of each strip.
- Glue and Pin Nail miter assembly together. Clamp and let dry.

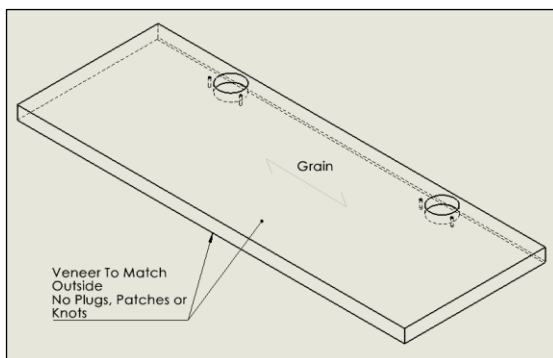


- Drill for (4) .06" pilot holes, .25" deep for installing Lock as shown. Transfer Holes from Lock and reference drawing for placement.
- Drill for (3) .09" pilot holes, .1" deep for installing LED Light Bracket as shown. Transfer Holes from Light Bracket and reference drawing for placement.

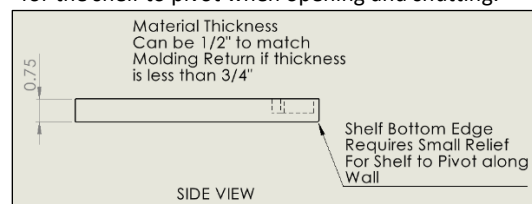


HSS-102 Shelf Bottom

- Start with a squared blank piece of veneer plywood or hardwood 3/4" thick, cut to 22" x 8" as shown. Dimensions shown represent installing a specific 2-3/8" x 2-3/8" 45° crown profile. Alternative Crown Molding dimensions would require dimensional adjustment to Shelf Bottom size.



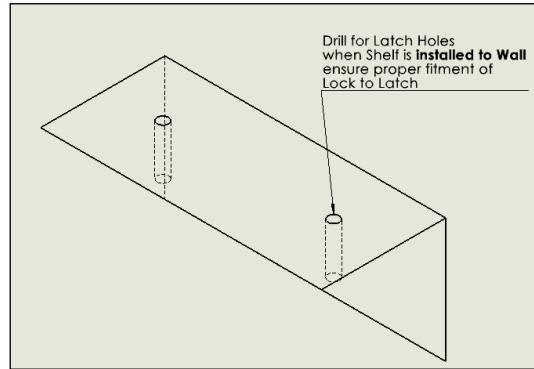
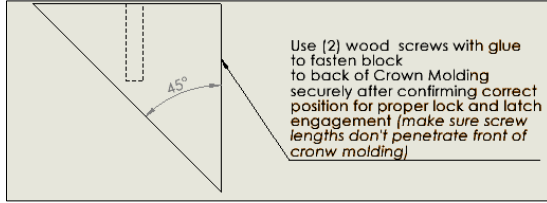
- Drill for (2) hinge cups using 35mm boring bit and associated pilot holes using the 3/32" Drill Bit.
- Install Shelf Bottom Hinges to Hinge Plates on Cleat and test for proper hinge fitment and movement. Adjust hinges if necessary. Remove hinges for Shelf Assembly.
- Add small 1/16" relief angle or round-over to bottom back edge. This will allow for some spacing from wall for the shelf to pivot when opening and shutting.



Cont.

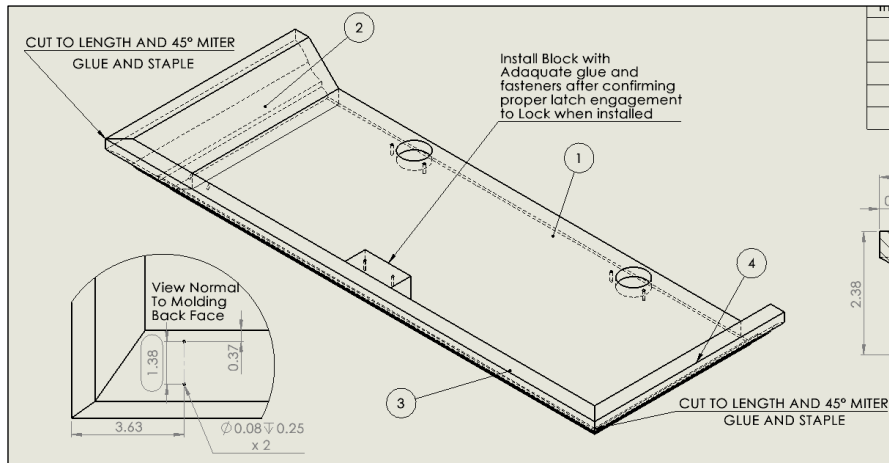
HSS-105 Latch Block

- Cut 2.5" x 1.25" x 1.25" Wood Block, miter 45° angle (or other angle if using a different angle Crown Molding). **Wait to drill Latch Holes until Shelf is installed to the Wall for proper engagement.**



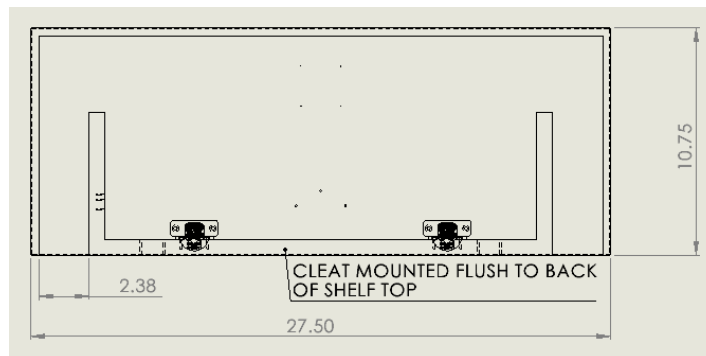
HSS-1001 Shelf Bottom Assembly

- Cut Crown Molding lengths 26.75", 10.38" and 10.38". Add mirrored 45° miters to both ends of the 27.5" and to one of each end of the 10.38" lengths. Pin Nail Test assemble the Crown Molding pieces together to the Shelf Bottom. Test fit assembly into Shelf Top to make sure fitment is uniform and flush to the back edges. Make sure there is a slight gap when closed and back edges are flush. Gap should be around 1/16" for proper clearance.
- Install Latch Block where shown on assembly print. Install Block using pin nails and/or wood screws and glue to the back of the Crown Molding. Latch pilot holes will be added later when shelf is installed onto wall for proper engagement.



Shelf Top Assembly

- Locate Cleat on bottom of Shelf Top, glue centered and flush to the back side of the Shelf Top. Make sure screws (if pocket screw assembling) are not long enough to puncture top surface (3/8" thick). Glue and nail in place and/or pocket screw to Shelf Top.



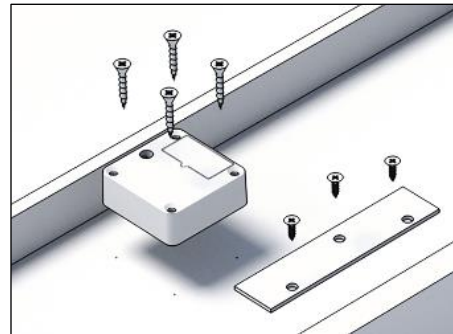
Cont.

Shelf Final Assembly

- Finally install the hinges to the Shelf Bottom Assembly and Cleat/Top Assembly and assemble components together. Test InvisiShelf assembly fitment and movement again and look for any interference or misalignment open and shutting Shelf.



- Install circular Strut Mount Bracket to the inside Cleat leg using supplied screws. Attach Strut to bracket knuckle, making sure thicker end of strut is towards the Cleat side. This keeps the Strut rod lubricated over time. Install opposite strut bracket to other end of the strut.
- Extend strut to fully open position and mark on the back of the Crown Molding where Strut bracket should be mounted. Transfer bracket holes and pilot drill for installation of strut bracket. Wait to install strut bracket to back of Crown Molding until after Shelf is installed to Wall.
- Install LED Light Bracket to underside of Shelf Top using supplied screws.



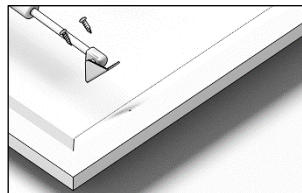
- Install Lock to underside of Shelf Top using supplied screws from Lock Kit. Install Lock battery from Lock Kit at this point to avoid getting locked out of shelf with no battery. **Never shut InvisiShelf without a battery and the Latch installed. You will be permanently locked out.**

Remove all hardware and disassemble Shelf Top Assembly from Bottom Assembly for final finishing or painting of Shelf.

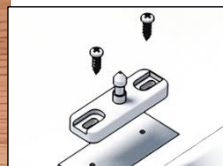
At this point, refer to provided InvisiShelf Installation Instructions for a complete guide for installation.

Below are additional assembly notes below for Latch and Strut Assembly.

- Once InvisiShelf is installed properly to Wall, clip the installed Strut bracket to the loose end of the strut.



- Install Latch into Lock Mechanism. Add a strip of tacky double-sided tape to the bottom of the Latch plate. Make sure the Latch is parallel to the Latch Block. Close the Shelf firmly in locked position to adhere tape on Latch to Latch Block. While still firmly supporting bottom shelf in lock position, unlock the Shelf with the Keycard and slowly lower Shelf Bottom. The Latch should stay adhered onto the Latch Block in the proper location. Mark, drill and install Latch. If located properly, the Shelf should Lock and Unlock without interference or binding.



Refer to InvisiShelf Installation Instructions for complete guide for installation.