

**SOSS  
INVISIBLE  
HINGE SPEC  
SHEET**



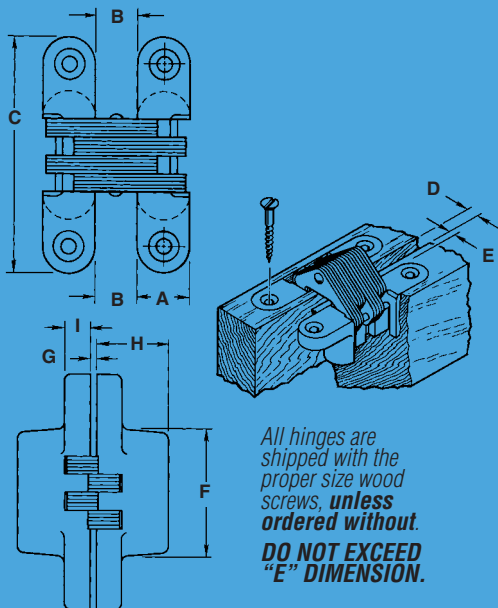
# SOSS Invisible Hinges

*For Wood  
or Metal*

*Hinge  
illustrations  
are shown  
half size.*

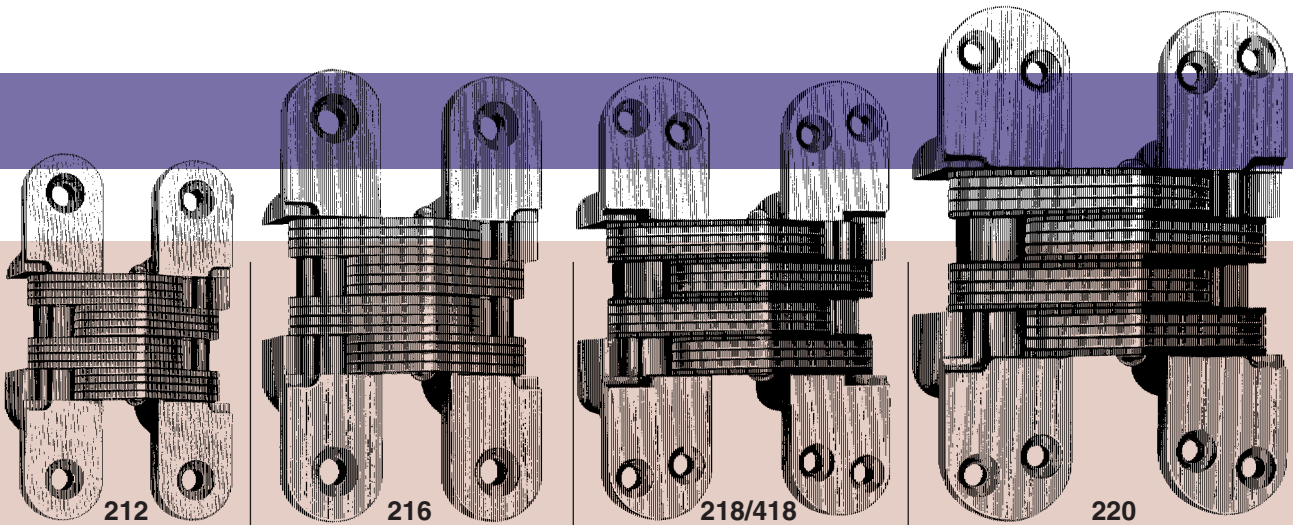
Dimension	100	101	103	303	203	204	208
A	3/8" (9.53mm)	3/8" (9.53mm)	1/2" (12.70mm)	1/2" (12.70mm)	1/2" (12.70mm)	1/2" (12.70mm)	5/8" (15.8mm)
B	9/32" (7.14mm)	19/64" (7.54mm)	3/8" (9.53mm)	3/8" (9.53mm)	23/64" (9.13mm)	23/64" (9.13mm)	29/64" (11.51mm)
C	1" (25.40mm)	1 1/16" (42.86mm)	1 1/2" (38.10mm)	1 1/2" (38.10mm)	1 3/4" (44.45mm)	2 3/8" (60.33mm)	2 3/4" (69.85mm)
D	3/32" (2.38mm)	7/64" (2.78mm)	1/8" (3.18mm)	1/8" (3.18mm)	7/64" (2.78mm)	7/64" (2.78mm)	9/64" (3.57mm)
E	3/32" (2.38mm)	3/32" (2.38mm)	1/8" (3.18mm)	1/8" (3.18mm)	1/8" (3.18mm)	1/8" (3.18mm)	5/32" (3.97mm)
F	3/8" (9.53mm)	7/8" (22.23mm)	1 1/16" (17.46mm)	39/64" (15.08mm)	3/4" (19.05mm)	1 1/4" (31.75mm)	1 11/32" (34.13mm)
G	1/32" (.79mm)	1/32" (.79mm)	1/32" (.79mm)	1/32" (.79mm)	1/32" (.79mm)	1/16" (1.59mm)	3/64" (1.19mm)
H	1 5/32" (11.91mm)	2 9/64" (11.51mm)	1 9/32" (15.08mm)	2 1/32" (16.68mm)	2 3/32" (18.26mm)	2 3/32" (18.26mm)	2 9/32" (23.02mm)
I	1 5/64" (5.96mm)	7/32" (5.56mm)	7/32" (5.56mm)	.054" (1.37mm)	3/16" (4.76mm)	1/4" (6.35mm)	9/32" (7.14mm)
Min. Wood Thickness	1/2" (12.70mm)	1/2" (12.70mm)	3/4" (19.05mm)	1 1/16" (17.46mm)	3/4" (19.05mm)	3/4" (19.05mm)	1" (25.40mm)
Wood Screw Sizes	#5x3/4" (3.5x19mm)	#5x3/4" (3.5x19mm)	#6x1" (3.5x25mm)	#5x3/4" (3.5x19mm)	#6x1" (3.5x25mm)	#7x1 1/4" (3.9x32mm)	#8x1 1/4" (4.2x32mm)
Soft Wood Pilot Hole	No. 53	No. 53	No. 52	No. 53	No. 52	No. 51	No. 48
Hard Wood Pilot Hole	No. 47	No. 47	No. 44	No. 47	No. 44	No. 39	No. 35
Hinge Weight	.04 lb.	.07 lb.	.09 lb.	.05 lb.	.11 lb.	.20 lb.	.34 lb.

## Key to Dimensions Shown in Charts



**For Wood  
or Metal**

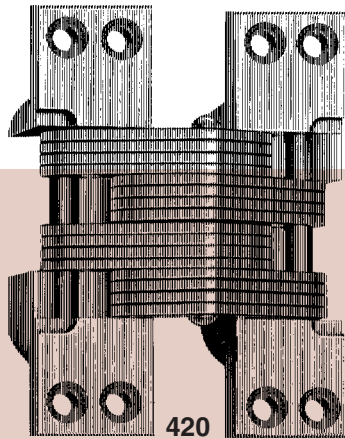
*Hinge  
illustrations  
are shown  
half size.*



Dimension	212	216	218/418	220
A	3/4" (19.05mm)	1" (25.40mm)	1 1/8" (28.58mm)	1 3/8" (34.93mm)
B	1 7/32" (13.49mm)	2 3/32" (18.26mm)	7/8" (22.23mm)	1 1/16" (26.99mm)
C	3 3/4" (95.25mm)	4 5/8" (117.48mm)	4 5/8" (117.48mm)	5 1/2" (139.70mm)
D	5/32" (3.97mm)	7/32" (5.56mm)	3/8" (9.53mm)	1/2" (12.70mm)
E	3/16" (4.76mm)	1/4" (6.35mm)	1/4" (6.35mm)	9/32" (7.14mm)
F	2 1/16" (52.39mm)	2 9/32" (65.88mm)	2 7/16" (61.91mm)	2 15/16" (74.61mm)
G	3/64" (1.19mm)	1/16" (1.59mm)	1/16" (1.59mm)	1/16" (1.59mm)
H	1 5/64" (27.38mm)	1 7/16" (36.51mm)	1 41/64" (41.67mm)*	1 5/16" (49.21mm)
I	3/8" (9.53mm)	1 5/32" (11.91mm)	1 3/32" (10.32mm)	1 5/32" (11.91mm)
Min. Wood Thickness	1 1/8" (28.58mm)	1 3/8" (34.93mm)	1 3/4" (44.45mm)	2" (50.80mm)
Wood Screw Sizes	#10x1 1/4" (4.8x32mm)	#14x1 1/2" (6.3x38mm)	#10x1 1/2" (4.8x38mm)**	#12x1 1/2" (5.5x38mm)
Soft Wood Pilot Hole	No. 43	No. 32	No. 43	No. 38
Hard Wood Pilot Hole	No. 31	No. 10	No. 31	No. 25
Hinge Weight	.75 lb.	1.65 lb.	1.86 lb./2.15 lb.	3.15 lb.

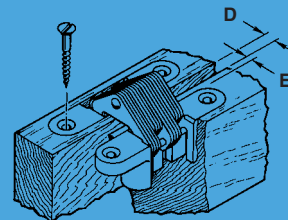
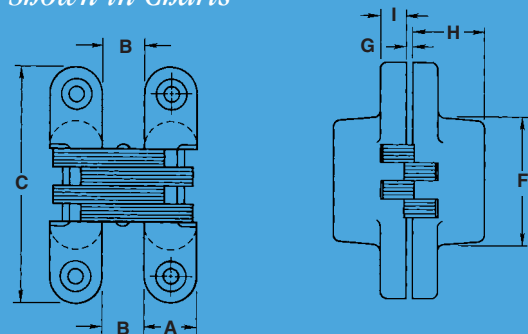
\*For 418, H dimension is 1-19/32" (40.48mm)  
\*\*For 418 use wood screws #10 x 2-1/2"

**Metal  
Application  
Only**



Dimension	420
A	1 3/8" (34.93mm)
B	1 1/16" (26.99mm)
C	4 1/2" (114.30mm)
D	1/2" (12.70mm)
E	9/32" (7.15mm)
F	2 15/16" (74.62mm)
G	3/32" (2.38mm)
H	1 15/16" (49.22mm)
I	1 5/32" (11.91mm)
Min. Door Thickness	2" (50.8mm)
Screw Sizes	#12-24x1" machine screw
Hinge Weight	3.44 lb.

**Key to Dimensions  
Shown in Charts**



**All hinges are shipped with the proper size wood screws, unless ordered without. DO NOT EXCEED "E" DIMENSION.**