

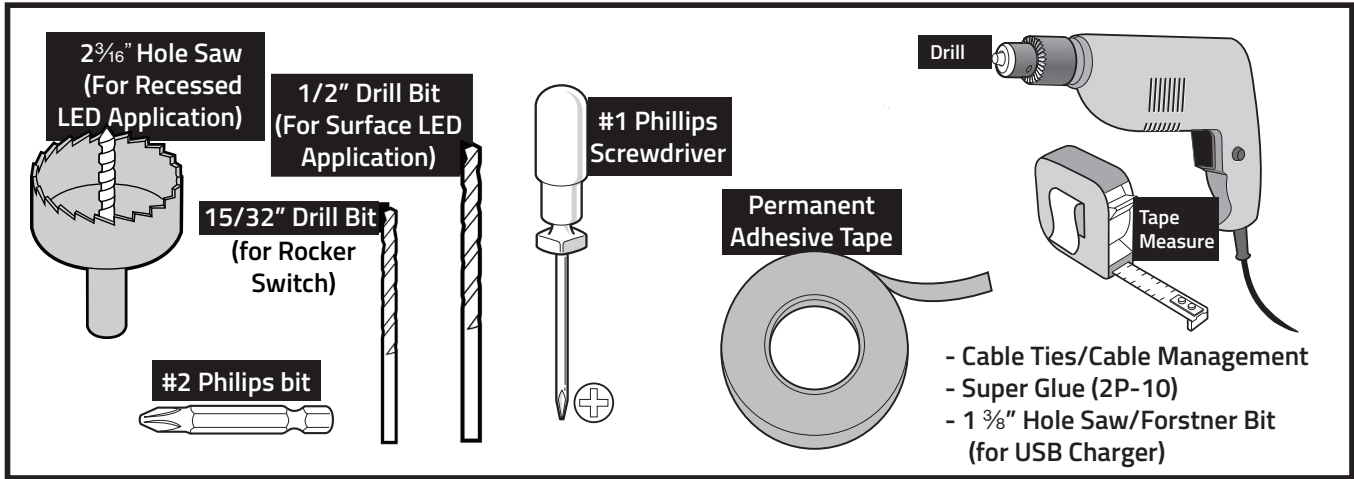
INSTRUCTION MANUAL
for Installing
LIGHT/SOUND/USB CHARGING
KITS INTO INVISIDOOOR

Kit 1 - ID.LGT.01.08
Kit 2 - ID.SPK.01.08
Kit 3 - ID.SPK-USB.01.08
Kit 4 - ID.LGT-SPK-USB.01.08



Instruction Manual for Installing Puck Lights into InvisiDoor Cabinet

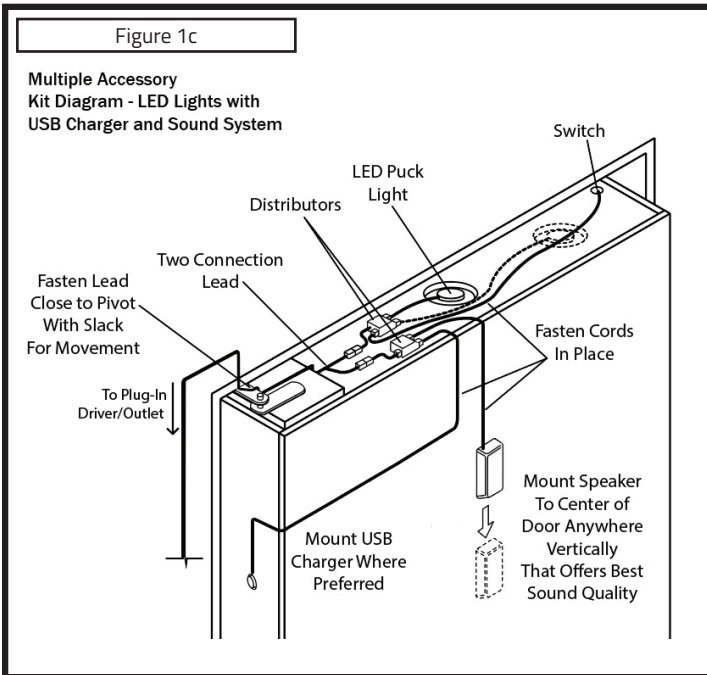
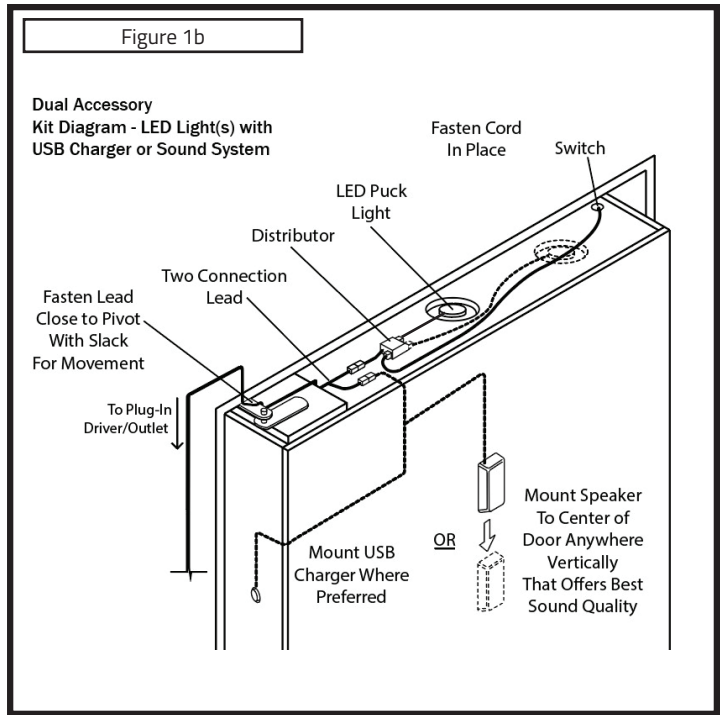
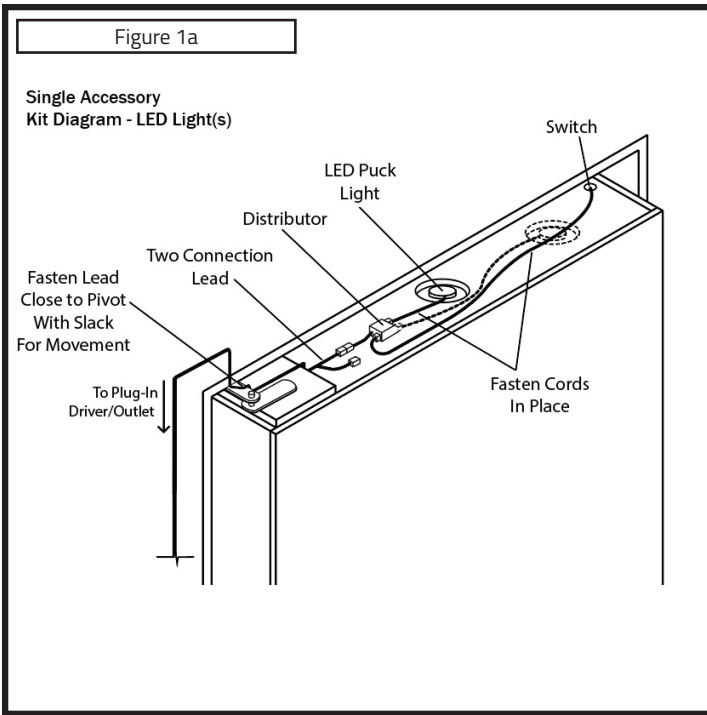
Installation Tools Needed:



Products Included (depending on kit # ordered):

<p>Flush/Recessed</p> 	<p>Surface Mount</p> 	<p>15W Driver and 27W Driver (Included in all kits)</p> 
<p>USB Lead (Included in kits 3, 4)</p> 	<p>Double Lead (Included in all kits)</p> 	<p>3-Way Distributor (Included in kits 1, 4)</p> 
<p>Rocker Switch (Included in kits 1, 4)</p> 	<p>USB Port (Included in kits 3, 4)</p> 	<p>Sound System 7W (Included in kits 2, 4)</p> 

Depending on the type of kit purchased, reference the installation diagram and product installation guides to properly install your specific kit. Also review and reference supplied Hafele instructions per product while following kit installation for more details.



LED Light Installation

(refer also to Hafele Instructions)

1. Refer to "Single Accessory Kit Diagram – LED Light(s)" Figure 1a for reference to installing the LED Light(s) and powering accessories. Use these steps in conjunction with subsequent installation steps and Figure 1b or 1c Accessory Diagram Illustrations if combining with other powered accessories.
2. Mark location(s) on the top of the bookshelf where puck light(s) will be mounted for proper bookshelf illumination. Lights can be mounted recessed or to the surface using the trim ring.

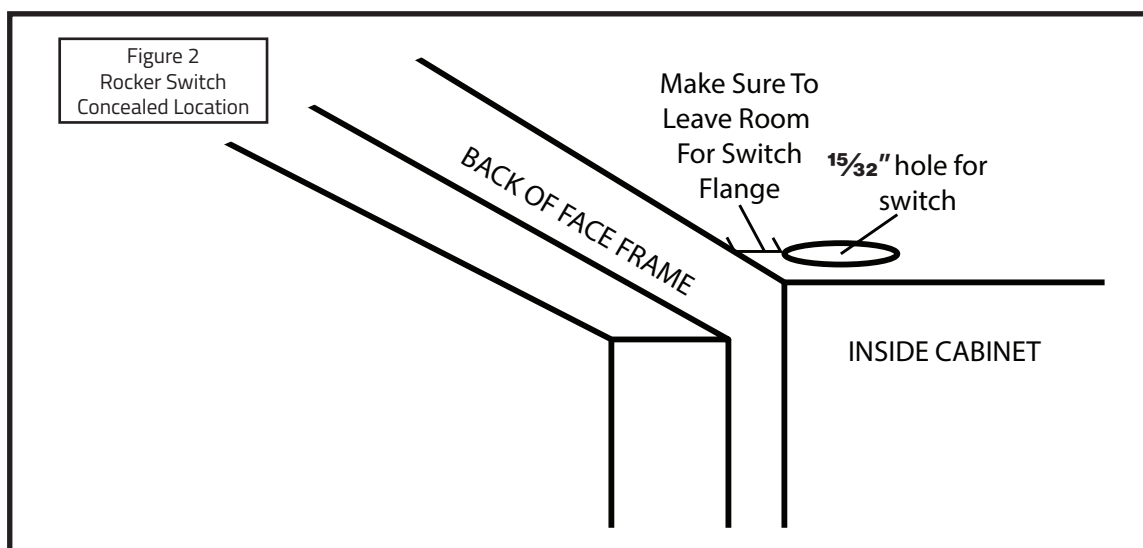
Flush/Recessed Puck Light



Surface Mounted Puck Light



3. Lay out all the equipment before you start installing to make sure you have adequate wire length to install the lights and power supply where you intend to install everything. Do not plug in or wire to power until all installation is complete.
4. Start by installing the LED light(s) in the marked location on top of the bookcase. Refer to the LED Puck Light installation instructions for a detailed guide. Drill $2\frac{3}{16}$ " hole for Recessed Puck Light or $\frac{1}{2}$ " hole for cord pass-thru if mounting Light with Trim Ring. Preferably, make sure to drill from inside the cabinet to make a clean cut in the wood.
5. Feed Power Cord through drilled hole and snap light into hole (recessed) or screw mount trim ring over cord pass-thru hole and snap Puck Light into Trim Ring.
6. Next, locate where the On/Off switch will be installed in the bookcase.
Example: Consider mounting in the bookshelf behind the face frame for a discreet look.



Rocker Switch installation (figure 2):

(refer also to Hafele Instructions)

1. Drill $\frac{15}{32}$ " hole through the top of the bookcase from inside the bookcase where you prefer to locate the On/Off Switch. Refer to the On/Off Switch installation instructions for a detailed installation guide.
2. Feed Switch wires through the drilled hole to the top of the bookcase and clip Switch securely into place. Use a little super glue in the hole is recommended for added strength.
3. Arrange the wiring on top of the bookcase to resemble the LED Light layout on the example diagram.
4. Connect Rocker switch to back of Distributor Block. This Distributor Block allows up to 3 lights to be controlled by the on/off switch.
5. Connect the Distributor Block to one of the two connections from the two connection Power Lead. The other connection lead can power other accessories or left unattached if no other accessories are installed. Use zipties and cable management to secure wiring in place as you go.

6. Run wire management of the Two Connection Power Lead across the top of the bookcase till you get to the Pivot Hinge. Ziptie wires along hinge close to pivot with some slack for door movement. Make sure to test the InvisiDoor in fully closed and open positions to make sure there is no wire interference or stress/tension while moving door. Run Power Lead wires up onto adjacent wall and secure to wall working towards the power source.
7. Once all wiring on top of the InvisiDoor connected and complete, use wiring management fasteners to ensure that wiring is cleanly organized, fastened in place, and will not interfere with InvisiDoor movement and long term use.
8. Complete the installation by installing Power lead to Wall Plug Driver by installing in an outlet. Test to make sure LED Puck Light and Switch are operating correctly. Open and Shut the InvisiDoor a few times to make sure all equipment is securely in place and wiring is not interfering or binding during door operation.

USB Port and Sound System Installation on next page.

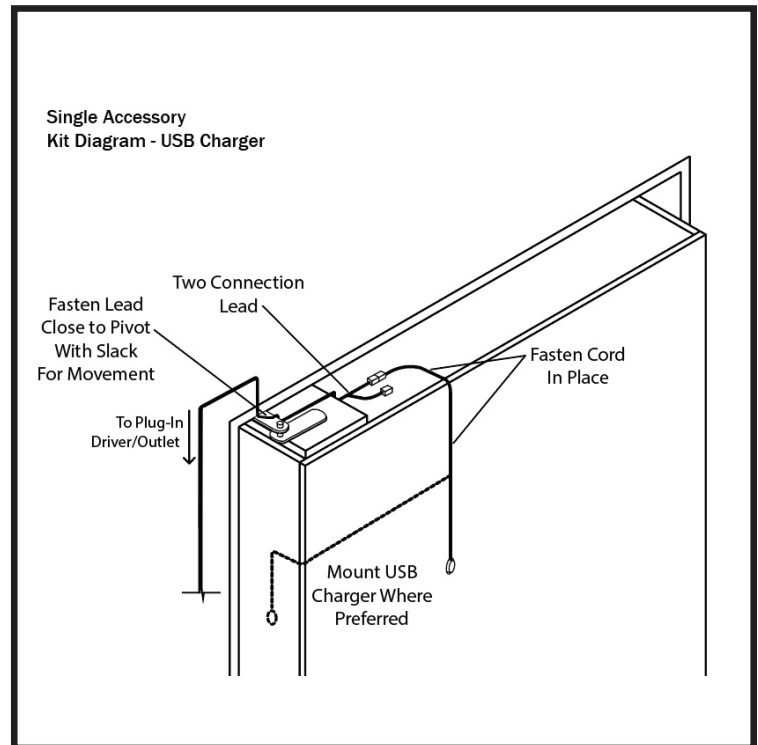


InvisiDoor Application

USB Charger Installation

(refer also to Hafele Instructions)

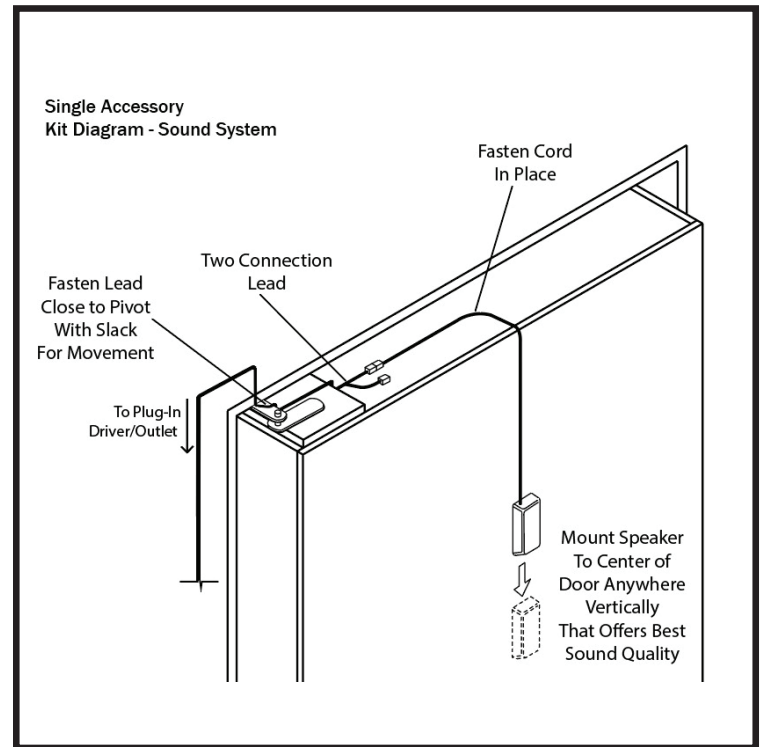
1. Refer to “Single Accessory Kit Diagram – USB Charger” illustration for reference to installing the USB grommet and powering accessories. Use these steps in conjunction with other installation steps and “Dual” or “Multiple” Accessory Diagram Illustrations if combining with other powered accessories. Also review the provided Hafele USB Charger instructions for installation and setup instructions.
2. Locate where USB charger port will be installed that is easily accessible and within reach from the provided wire lengths in the wiring assembly inside the InvisiDoor Cabinet.
3. Mark and drill location using a 1 $\frac{3}{8}$ ” hole saw or forstner bit, cutting from the inside of the cabinet to prevent wood from splintering.
4. Install USB Wire Lead to USB Charger Grommet and feed wire through drilled hole. Install Grommet flush to cabinet wall. Use super glue if desired for added fastening strength since usage could loosen grommet over time if fitment is not tight.
5. Run wire lead along cabinet, securing to cabinet with cable management hardware as you feed wire to top of cabinet bookcase. Attach wire clip to Two Connection Power Lead directly, or to a Distribution Block if installing another “always on” powered accessory without the use of a switch. (Refer to “Multiple Accessory Diagram” if installing another powered accessory).
6. Run wire management of the Two Connection Power Lead across the top of the bookcase till you get to the Pivot Hinge. Zip-tie along hinge close to pivot with some slack for door movement. Make sure to test the InvisiDoor in fully closed and open positions to make sure there is no wire interference or stress/tension while moving door. Run Power Lead wires up onto adjacent wall and secure to wall working towards the power source. If using a distribution block, refer to LED Light installation Step 3. You will not install a switch in the distribution block if you want your USB always powered. If it is installed directly into the Two Connection Power Lead or Distribution Block without a switch installed, it will always be powered.



Sound System Installation

(refer also to Hafele Instructions)

1. Refer to "Single Accessory Kit Diagram – Sound System" illustration for reference to installing the USB grommet and powering accessories. Use these steps in conjunction with other installation steps and "Dual" or "Multiple" Accessory Diagram Illustrations if combining with other powered accessories. Also review the provided Hafele Sound System instructions for installation and Bluetooth setup instructions.
2. The Sound System Speaker sounds best when installed behind the center of the upper cabinet area (above the fixed shelf) 27" down from the top. You can plug the Sound System to the driver using the Two Connection Power Lead and Driver Outlet plug to test what area sounds best for application before you install it. Once the location for your Speaker is determined, make sure you will have adequate wire length to reach that location.
3. Mount the Sound System using a screwdriver for installation. If mounting to the back of the InvisiDoor, consider using shorter screws or added washers to prevent provided screws from breaching the ½" wood material.
4. Install Wire Lead to Sounds System and run other wire lead along cabinet, securing to cabinet with cable management hardware as you feed wire to top of cabinet bookcase. Attach wire clip to Two Connection Power Lead directly, or to a Distribution Block if installing another "always on" powered accessory. (Refer to "Multiple Accessory Diagram" if installing another powered accessory).
5. Run wire management of the Two Connection Power Lead across the top of the bookcase till you get to the Pivot Hinge. Zip-tie along hinge close to pivot with some slack for door movement. Make sure to test the InvisiDoor in fully closed and open positions to make sure there is no wire interference or stress/tension while moving door. Run Power Lead wires up onto adjacent wall and secure to wall working towards the power source. If using a distribution block, refer to LED Light installation Step 3. You will not install a switch in the distribution block if you want your Sound System always powered. If it is installed directly into the Two Connection Power Lead or Distribution Block without a switch installed, it will always be powered.



Also available from CSH:



Mini Barn Door Hardware





Rolling Barn Door Hardware



Rolling Library Ladder and Ladder Hardware



 N169W21008 Meadow Ln.
Jackson WI, 53037

 (262) 365-7960

 cshardware.com