

Rolling Barn Door Instructions

Roller Strap Installation

1. Install the roller straps onto the top edge of the door. The location of these straps is critical for the proper, safe use of the rolling door.
2. The distance between the top of the door and the outer diameter of the back of the wheel (measured from the back of the door) should be $13/16'' - 7/8''$ (this will achieve approximately $3/32''$ gap between the top of the door and the rail).
3. Using the screws provided attach the strap to the door. It is very important that the screws are installed into solid wood, not hollow-core doors with thin veneer skins. It is also recommended that you pre-drill the screw holes. Make sure that proper vertical alignment of the strap is achieved before fastening the strap to the door.

Rail Installation

Warning: DO NOT fasten rail brackets directly onto the drywall. Rail brackets **MUST BE** installed into a solid wood header that is mounted above the doorway and is securely fastened into the wall studs behind the drywall.

(Brackets that are fastened directly onto the drywall surface will, over time, crush the drywall leading to a failure of the barn door system)

1. Calculations for typical rail placement:

Height of door + desired gap at the bottom of the door + $5/8'' =$ Center of rail

2. Using a level, mark a line on the trim or wall where the center of the rail will be located.
3. Mark on this line where the rail mounting brackets will be located (recommended spacing for the wall mounted brackets is 16")
4. Slide all the brackets onto the rail
5. Line up the brackets with the marks on the trim or wall. Beginning at one end, secure the brackets to the trim or wall. Use a long drill bit for the screws above the rail so that you don't damage the finish on the rail with the drill.
6. The **Short Bracket** will accommodate doors up to **1-1/2" wide**.

The **Long Bracket** will accommodate up to **2-1/4" wide**.

End Stops and Center Guide (floor mounted & wall mounted)

1. After installing the door onto the rail, slide the door to the desired opened position.
2. Install the End Stop bracket to the floor or wall so that the door stops in the desired opened position.
3. Install the Center Guide bracket so that the door will always be captured by this bracket in the fully opened and fully closed position.
4. Repeat step #2 for installation of the other End Stop bracket when the door is in the closed position.

Dimensional Specifications

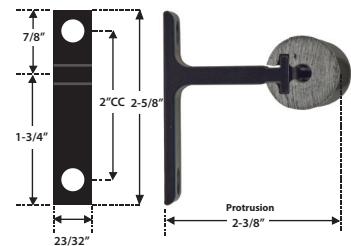
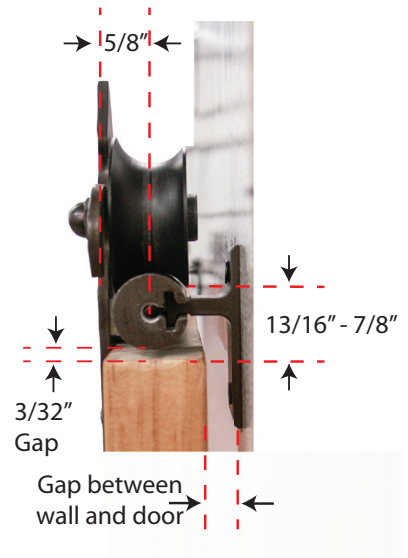
Gap between the wall and the door

Using the Short Bracket: Door thickness minus $1-7/8'' =$ gap

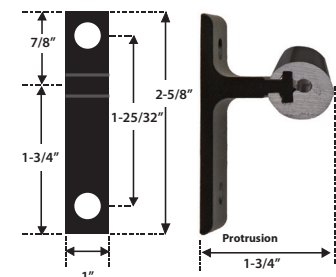
Using the Long Bracket: Door Thickness minus $2-1/2'' =$ gap

Door width recommendation: 4" wider than the opening (2" on each side)

Door height recommendation: The height will depend on location of the bracket, but in applications where the brackets are not above the door opening (narrower door openings where the brackets can be on either side of the opening) 1" above the opening would be sufficient.



Long Bracket



Short Bracket

